



temperature
relative humidity
CO₂ concentration

On-wall controllers

*New generation of universal programmable on-wall controllers.
Create your own graphic layout and control algorithm!*



• AMR-OP75



• AMR-OP70



• AMR-OP60



• AMR-OP41



• AMR-OP40



• AMR-OP3xA



AMIT, spol. s r.o.
Videňská 118,
619 00 Brno, CZ
phone: +420 549 210 403
e-mail: amit@amitautomation.com

Headquarters:
Radlická 740/113c,
158 00 Prague, CZ
phone: +420 222 781 516

Technical support:
phone: +420 549 210 276
e-mail: support@amitautomation.com

**Automating
Your Success®**

amitautomation.com

Typical programmed functionality

- temperature and humidity measurement, room mode, temperature setpoint correction
- temperature and humidity measurement, room mode, temperature setpoint correction, convector fan mode (FanCoil)
- temperature and humidity measurement, room mode, temperature setpoint correction, switch
- temperature, humidity and CO₂ concentration measurement, room mode, temperature setpoint correction, acoustic signalisation for exceeded CO₂ limits

Basic technical specifications

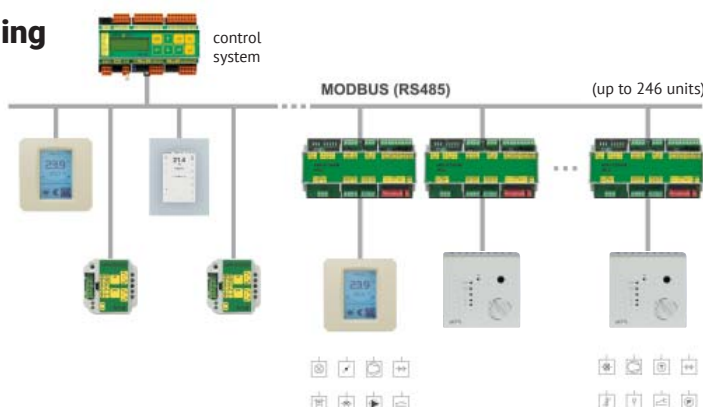
Temperature measurement	Internal sensor
Measurement range	-10 °C to 50 °C, ±0.5 °C
Humidity measurement (RH designation)	20 % to 80 %
CO ₂ concentration measurement (RHC designation)	400 ppm to 3,000 ppm ±5 % (NDIR) with autocalibration
Communication interface	RS485 without GI
Communication protocol	MODBUS RTU / ARION / DB-Net
Communication speed	9,600/19,200/38,400/57,600/115,200 Bd
Number of units in RS485 network	Max. 256 (protocol dependent)
Wireless protocol (RHP designation)	Poseidon 868 MHz
Power supply	10 to 30 V DC
RAM and RTC back-up battery	Variant dependent
Operating temperature	-10 °C to 50 °C
Programming	DetStudio / EsiDet

Function and design variants of controllers

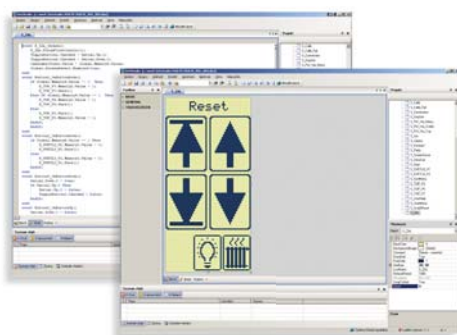
	AMR-OP75RHR(C/P)	AMR-OP70RH(C/P)	AMR-OP60	AMR-OP40(RHC), AMR-OP41	AMR-OP3xARH
Operation	Touch panel	Touch panel	4× button	2× button, control knob	Button, control knob
HMI	Graphic colour LCD	Graphic black/white LCD	Graphic blue/white LCD	2× LED	Green LED
Resolution	(320 × 480) pixels	(64 × 132) pixels	(256 × 128) pixels	–	–
Display area	(48,9 × 73,4) mm	(58 × 38) mm	(44 × 25) mm	–	–
Form factors	White (RAL 9010)	White, ivory, grey, white/grey, brown, blue	Time, Time Arbo	Time, Time Arbo	White (RAL 9010)
Inputs/outputs	1× RTD, 1× relay	–	–	–	–
Dimensions (w × h × d)	(86 × 110 × 24) mm	(90 × 90 × 32) mm	(71 × 71 × 33) mm	(71 × 71 × 33) mm	(85 × 85 × 30) mm

Custom graphics layout and programming

The unrivalled advantage of AMR-OP7x/60 is the option to create own graphic layout of the display and control algorithms in DetStudio development environment, enabling the system integrator to customize the controller functionality and find the most suitable solutions for their applications. You can also control other devices such as room lights, shutters, blinds, etc. The advantage is that all these functions can be integrated into a single on-wall room controller without the necessity to have other controllers on the wall next to it. This is an indisputable design and installation advantage.



Controllers with graphic touchscreens



- user-friendly controller for adjustment of room quantities
- backlit graphic display
- all interactions through the touchscreen
- measures current room temperature and humidity
- measures CO₂ concentration with acoustic signalisation
- type applications are available for download free of charge
- communicates with the superior control system using MODBUS RTU, ARION or DB-Net protocol
- option to create custom graphic layout and custom control algorithm
- the controller is not a switching action thermostat, it is a peripheral of the control system



EUROPEAN UNION
European Regional Development Fund
Operational Programme Enterprise
and Innovations for Competitiveness

