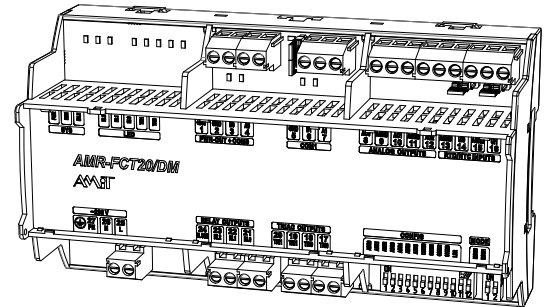


# AMR-FCT20/DM

FanCoil unit controller

- 2× RTD / NTC input
- 3× output relay
- 2× triac output
- 3× analogue output 0 V to 10 V
- Power supply 230 V AC



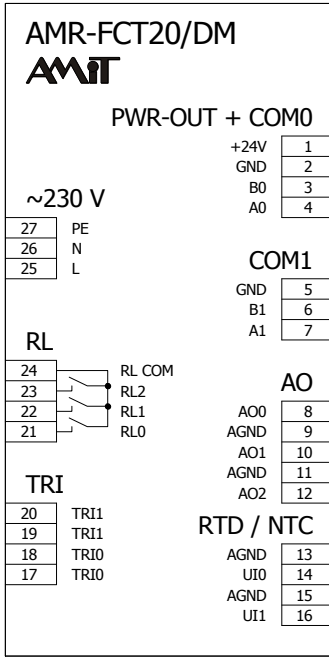
## TECHNICAL DATA

<b>RTD / NTC inputs</b>	2
Accuracy	
<ul style="list-style-type: none"> <li>• Ni1000 (6,180 ppm/°C)</li> <li>• Ni1000 (5,000 ppm/°C)</li> <li>• Pt1000 (3,850 ppm/°C)</li> <li>• NTC 10 kΩ (<math>\beta_{25/85} = 3977</math>)</li> <li>• NTC 20 kΩ (<math>\beta_{25/85} = 4263</math>)</li> </ul>	<ul style="list-style-type: none"> <li>±0.5 °C</li> <li>±0.6 °C</li> <li>±0.8 °C</li> <li>±2.7 °C (<math>T_m = +125</math> °C)</li> <li>±3.5 °C (<math>T_m = +125</math> °C)</li> </ul>
Temperature dependence	70 ppm/°C
Galvanic isolation	No
<b>Analogue outputs</b>	3
Output type	0 V to 10 V
Internal output impedance	120 Ω
Maximum current	10 mA
<b>Relay outputs</b>	3
Output type	3× SPST-NO contact with a common input
Maximum output current	4 A at 230 V AC / 24 V DC (resistive load)
Maximum cumulative current	6 A
<b>Triac outputs</b>	2
Output type	Dry contact zero-crossing switch
Galvanic isolation	Yes
GI strength	2,500 V AC
Maximum output current	500 mA AC (resistive load)
Maximum switched voltage	250 V AC
<b>Communication</b>	2× RS485
Galvanic isolation	NO
Max. stations per segment	32
<b>Power supply</b>	230 V AC ±10 %
Consumption	20 mA at 230 V AC
External controller power supply	24 V DC
Maximum consumption	70 mA
Short-circuit protection	PTC
<b>Other</b>	
Ingress protection rate	IP20
Operating temperature range	0 °C to 50 °C
Maximum ambient humidity	< 95 % non-condensing
Mounting	DIN rail
Weight - netto	0.40 kg ±5 %
Dimensions (w × h × d)	(162 × 91 × 61) mm
Programming	DetStudio / EsiDet

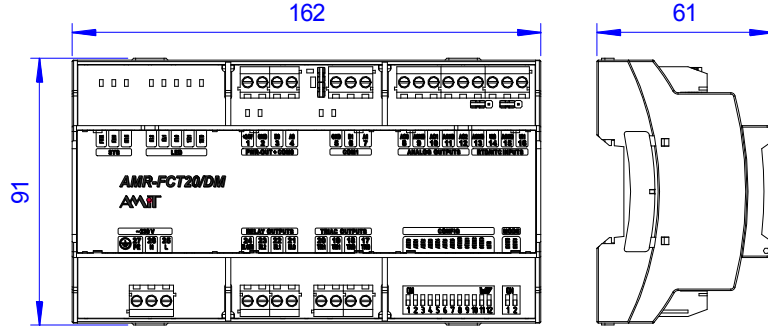
# ORDERING INFORMATION

<b>AMR-FCT20/DM</b>	FanCoil unit controller
---------------------	-------------------------

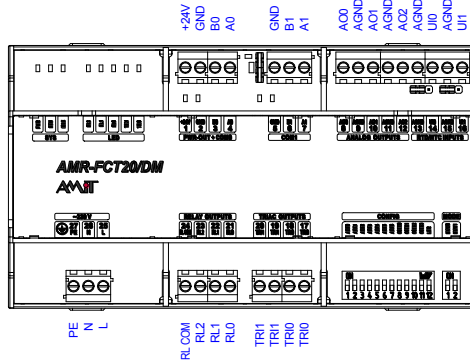
## DRAWING SYMBOL



## MECHANICAL DIMENSIONS



## LAYOUT OF TERMINALS



## DESIGNATION OF TERMINALS

Terminal	Designation	Significance	Terminal	Designation	Significance
1	+24V	Power outputs 24V	15	AGND	Universal input ground
2	GND	Ground	16	UI1	Universal input 0
3	B0	RS485, COM0, signal B	17	TRI0	Triac output 0
4	A0	RS485, COM0, signal A	18	TRI0	Triac output 0
5	GND	Ground	19	TRI1	Triac output 1
6	B1	RS485, COM1, signal B	20	TRI1	Triac output 1
7	A1	RS485, COM1, signal A	21	RL0	Relay output 0
8	AO0	Analogue output	22	RL1	Relay output 1
9	AGND	Universal output ground	23	RL2	Relay output 2
10	AO1	Analogue output	24	RL COM	Relay output, common terminal
11	AGND	Universal output ground	25	L	Power supply 230 V AC phase
12	AO2	Analogue output	26	N	Power supply 230 V AC neutral conductor
13	AGND	Universal input ground	27	PE	Protective conductor
14	UI0	Universal input 0			

Data in this datasheet is informative only. Binding detailed information can be found in the operation manual ([amr-fct20dm\\_g\\_en\\_xxx.pdf](#)). Documentation and examples are available at [amitautomation.com](http://amitautomation.com).