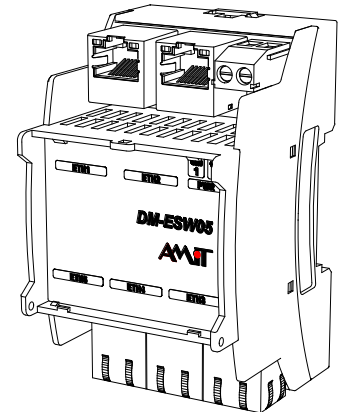


DM-ESW05

Industrial Ethernet switch

- 5-port industrial Ethernet switch
- Speed 10/100 Mbps
- Communication indication
- DIN rail mounting
- Power supply 24 V DC



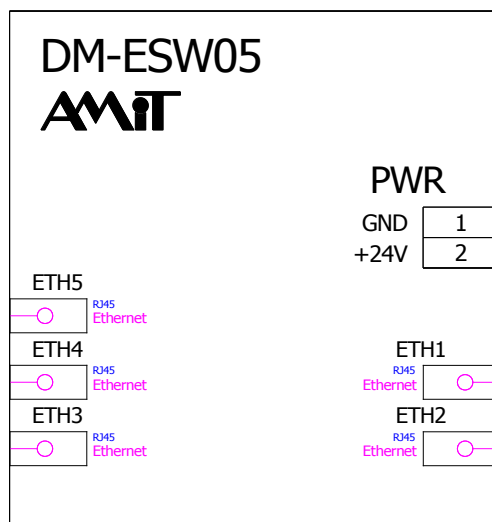
TECHNICAL DATA

Number of ports	5
Transmission speed	10/100 Mbps
Communication indication	LEDs in connectors
Galvanic isolation	Yes
Connection points	RJ45 connectors, in accordance with IEEE802.3
Power supply	12 V DC to 30 V DC
Maximum consumption	60 mA at 24 V DC
Overvoltage protection	Yes
Other	
Connection of power supply conductors	Screw terminals
Ingress protection rate	IP20
Operating temperature range	-40 °C to 70 °C
Maximum ambient humidity	< 95 % non-condensing
Mounting	On a 35 mm DIN rail
Weight	0.10 kg
Dimensions (w × h × d)	(54 × 92 × 61) mm

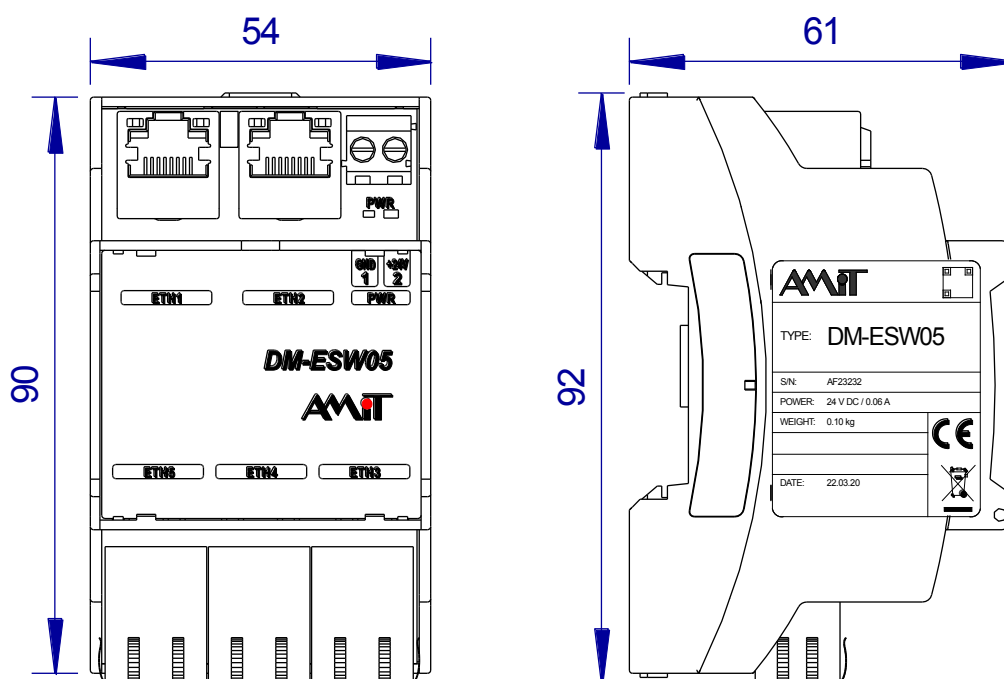
ORDERING INFORMATION

DM-ESW05	5-port industrial Ethernet switch
-----------------	-----------------------------------

RECOMMENDED DRAWING SYMBOL



MECHANICAL DIMENSIONS



DESCRIPTION OF TERMINALS

Terminal	Signal	Significance
1	GND	Power supply, ground
2	+24V	Power supply, +24 V DC

LED DESCRIPTION

LED	Status	Significance
PWR	LED on	Power supply connected

RECOMMENDED CABLING

It is advisable to use shielded straight-through/crossover CAT5 cables for all ports.