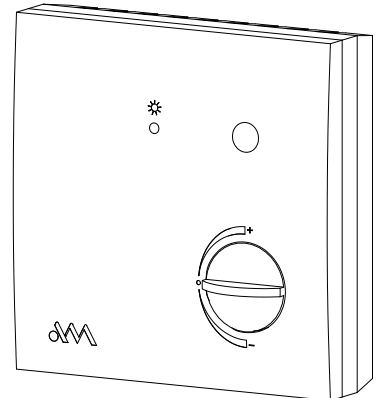


AMR-OP31ARH

On-wall controller

- Temperature measurement
- Relative humidity measurement
- 1× knob
- 1× button
- 1× LED
- RS485 serial interface
- Programmable in DetStudio / EsiDet



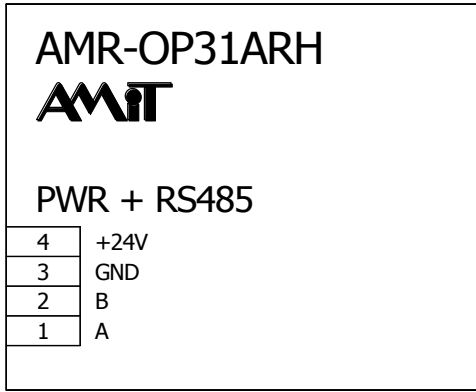
TECHNICAL DATA

Temperature measurement	Internal sensor
Range	-10 °C to 50 °C
Measurement accuracy	±0.5 °C
Stabilization time	< 20 s
Relative humidity measurement	Internal sensor
Range	20 % to 80 %
Measurement accuracy	±2.5 %
RH is 20 % to 60 %	
RH is 60 % to 80 %	±{2.5 + [(RH - 60)/10]} %
Stabilization time	< 20 s
Communication	1× RS485
Galvanic isolation	No
Termination RS485	Jumpers inside the controller
Communication speed	9,600 bps up to 57,600 bps
Number of units in RS485 network	Max. 256
Power supply	10 V DC to 30 V DC
Consumption	40 mA at 24 V DC
Other	
Ingress protection rate	IP20
Operating temperature range	-10 °C to 50 °C
Maximum ambient humidity	< 95 % non-condensing
Mounting	On the installation box KU68
Weight	0.06 kg
Dimensions (w × h × d)	(85 × 85 × 30) mm
Programming	DetStudio/EsiDet

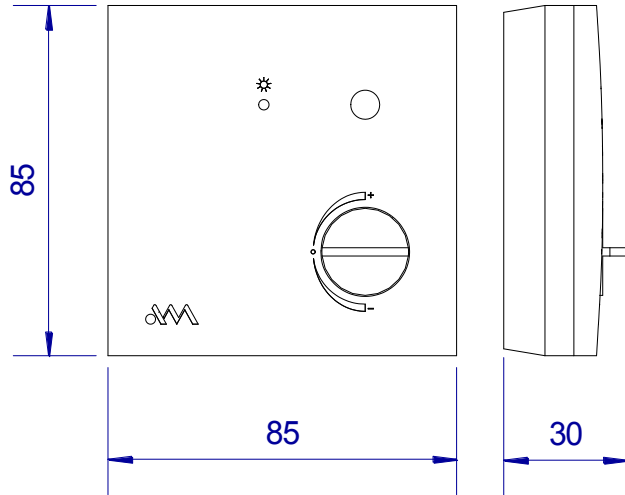
ORDERING INFORMATION

AMR-OP31ARH	On-wall controller
--------------------	--------------------

DRAWING SYMBOL



MECHANICAL DRAWING



DESCRIPTION OF TERMINALS

Terminal	Signal	Significance
1	A	RS485, signal A
2	B	RS485, signal B
3	GND	Common ground
4	+24V	Power supply, +24 V DC

LOCATIONS OF TERMINALS

