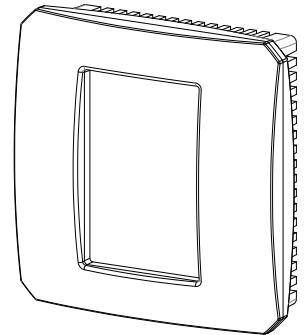


AMR-OP70RHC/xx

Programmable on-wall controller

- **Graphic black/white LCD**
- **Touch panel control**
- **RS485 communication interface**
- **Measures temperature, humidity and CO₂ concentration**
- **Acoustic signalization**
- **Mounting on the wall**
- **Power supply, 24 V DC**



TECHNICAL DATA

Viewer	Graphic black/white LCD
Resolution	(64 × 132) pixels (non-symmetric point)
Display area	(58 × 38) mm
Backlight / lifetime	LED / min. 50,000 hours ¹⁾
Temperature, humidity measurement	Digital sensor
Measurement range temp. / humidity	-10 °C to 50 °C / 20 % to 80 %
Temperature measurement accuracy	±0.5 °C
Humidity measurement accuracy RH 20 % to 60 % RH 60 % to 80 %	±2.5 % ±{2.5 + [(RH-60)/10]} %
Stabilization time	45 min. ²⁾
CO₂ concentration measurement	NDIR
Measurement range	400 ppm to 2,000 ppm
Measurement accuracy	±(50 ppm + 5 % of reading)
Stabilization time	90 s
Acoustic signalization	Piezobuzzer
RTC	CPU
RAM + RTC back-up	Replaceable lithium battery CR1632 ³⁾
Operation	Resistive touch panel
Communication	RS485
Galvanic isolation	No
Number of units in a RS485 segment	256
Power supply	10 V DC to 30 V DC
Maximum consumption	50 mA at 24 V DC
Other	
Connection points	Terminal block CHF5/2
Ingress protection rate	IP20
Operating temperature range	-10 °C to 50 °C
Maximum ambient humidity	< 95 % non-condensing
Mounting	On-wall
Weight	0.10 kg
Dimensions (w × h × d)	(90 × 90 × 32) mm
Programming	DetStudio / EsiDet

¹⁾ Backlight drop to 50 %.

²⁾ At this time, accuracy is reduced to ±1 °C.

³⁾ Battery is not included in the delivery.

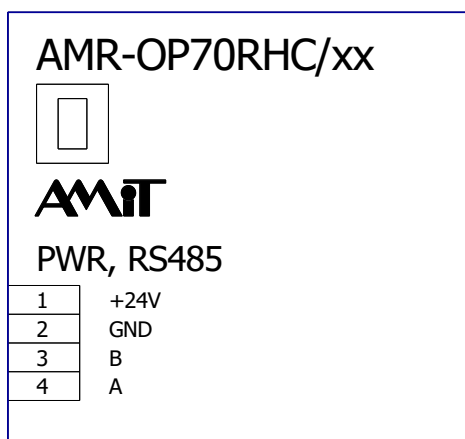
ORDERING INFORMATION

AMR-OP70RHC/xx	On-wall controller
-----------------------	--------------------

	Box colour		Cover colour	
AMR-OP70RHC/01	Grey	RAL 7005	White	RAL 9003
AMR-OP70RHC/02	Ivory	RAL 1013	Ivory	RAL 1013
AMR-OP70RHC/03	Grey	RAL 7005	Grey	RAL 7005
AMR-OP70RHC/04	White	RAL 9003	White	RAL 9003

Note: Small recesses on the surface and colour inhomogeneity do not justify a warranty claim.

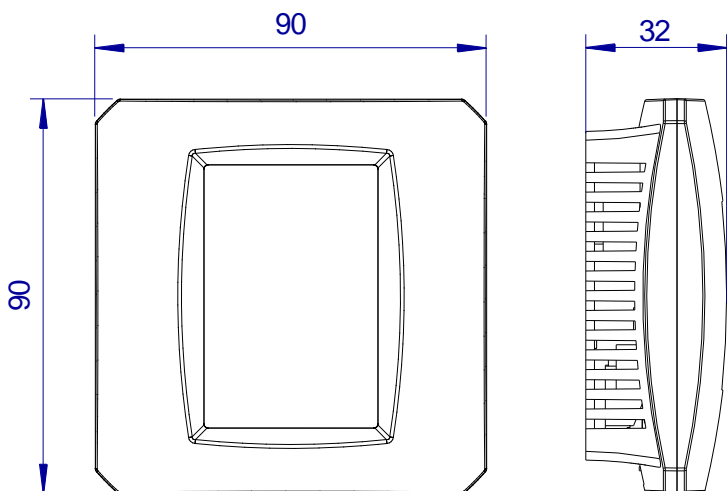
RECOMMENDED DRAWING SYMBOL



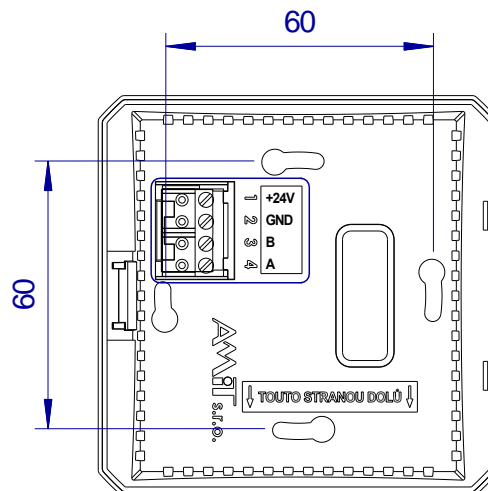
DESCRIPTION OF TERMINALS

Terminal	Description
1	Power supply, +24 V DC
2	Common ground
3	RS485, signal B
4	RS485, signal A

MECHANICAL DIMENSION



BOX



Data in this datasheet is informative only. Binding detailed information can be found in the operation manual ([amr-op70rhcxx_g_en_xxx.pdf](#)). Documentation can be downloaded from amitautomation.com.