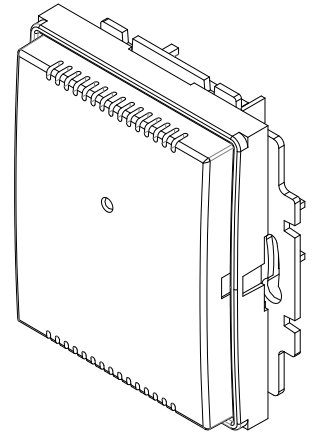


# AMR-OP40RHC/xx

Programmable on-wall controller

- **Measurement of temperature and relative ambient humidity**
- **CO<sub>2</sub> concentration measurement**
- **Acoustic signalization**
- **MODBUS RTU / ARION (RS485) communication**
- **ABB Time / Time Arbo design**
- **Possibility of user programming**
- **On-wall mounting**
- **Power supply 24 V DC**



## TECHNICAL DATA

<b>Temperature measurement</b>	Electronically
Measurement range	-10 °C to +50 °C
Measurement accuracy	±1 °C (-10 °C to 0 °C) ±0.5 °C (0 °C to 50 °C)
Tempering after startup	< 20 s <sup>1)</sup>
<b>Relative humidity measurement</b>	Electronically
Measurement range	20 % to 80 %, non-condensing
Measurement accuracy	±3.5 %
Tempering after startup	< 20 s <sup>1)</sup>
<b>CO<sub>2</sub> concentration measurement</b>	NDIR
Measurement range	400 ppm to 3,000 ppm
Measurement accuracy	±150 ppm
Tempering after startup	3 minutes <sup>1)</sup>
<b>Acoustic signalization</b>	Piezo buzzer
<b>Visual signalization</b>	LED
<b>Communication</b>	1 × RS485
Galvanic isolation	No
Number of stations on segment	256
<b>Power supply</b>	10 V DC to 30 V DC
Maximum power consumption	40 mA at 24 V DC
<b>Other</b>	
Ingress protection rate	IP30
Operating temperature range	-10 °C to 50 °C
Maximum ambient humidity	< 95 % non-condensing
Mounting	Into junction box KU68 with frame
Frame design	ABB Time / Time Arbo
Weight	55 g
Dimensions	(71 × 71 × 33) mm <sup>2)</sup>
<b>Application software</b>	TA_OP40RHC_FW01M_xxx <sup>3)</sup>
<b>Programming</b>	DetStudio / EsiDet

<sup>1)</sup> Time after startup when the accuracy of measurement of temperature, humidity and CO<sub>2</sub> concentration is reduced.

<sup>2)</sup> The final dimension depends on the frame type.

<sup>3)</sup> Application software is available for free download at [amitautomation.com](http://amitautomation.com).

## ORDERING INFORMATION

AMR-OP40RHCC/xx <sup>4)</sup>	On-wall controller
-------------------------------	--------------------

<sup>4)</sup> xx represents the colour design, see the following table.

Designation	Colour design
AMR-OP40RHC/01	White /ice white, Time
AMR-OP40RHC/03	White /white, Time
AMR-OP40RHC/08	Titanium, Time
AMR-OP40RHC/32	Old silver, Time
AMR-OP40RHC/33	Champagne, Time
AMR-OP40RHC/34	Anthracite, Time
AMR-OP40RHC/36	Steel, Time


Note: Small recesses on the surface and colour inhomogeneity do not justify a warranty claim.

## TERMINALS IDENTIFICATION

Terminal	Signal	Description
1	V+	Power supply, +24 V DC
2	G	Common Ground
3	B	RS485, signal B
4	A	RS485, signal A

## RECOMMENDED DRAWING SYMBOL

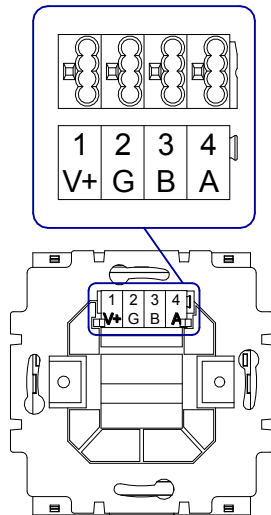
# AMR-OP40RHC/xx



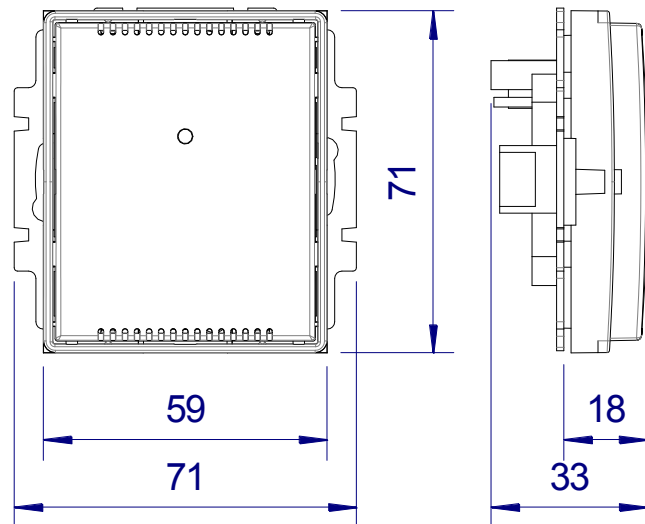
## PWR, RS485

1	V+
2	G
3	B
4	A

## LOCATION OF TERMINALS



## MECHANICAL DIMENSIONS



Data provided in this datasheet is informative only. Binding detailed information is available in the operation manual ([amr-op40rhccxx\\_g\\_en\\_001.pdf](#)). Documentation and examples are available for download at [amitautomation.com](http://amitautomation.com).