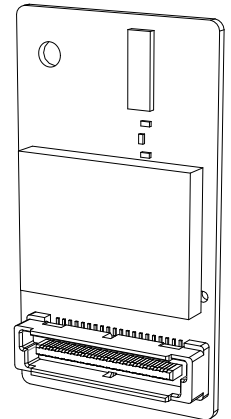


# AW-P868A

Wireless communication module 868 MHz.

- Plug-in module for selected products made by AMiT
- Wireless communication module 868 MHz interface
- POSEIDON® communication



## TECHNICAL DATA

<b>Poseidon® communication</b>	Radio module P8 TR PCBM
Nominal frequency	868 MHz
Number of channels	1
Number of codes in memory	32
Range with the antenna supplied	150 m in free space <sup>1)</sup>
Antenna connection	According to the product used
<b>Power supply</b>	3 V ±10 % (internal source on the product)
Connection point	TE connector 40 pin
<b>Other</b>	
Operating temperature	0 °C to 50 °C
Maximum ambient humidity	< 95 % non-condensing
Ingress protection rate	IP00
Dimensions (w × h × d)	(48 × 85 × 12) mm
Weight	4.44 g

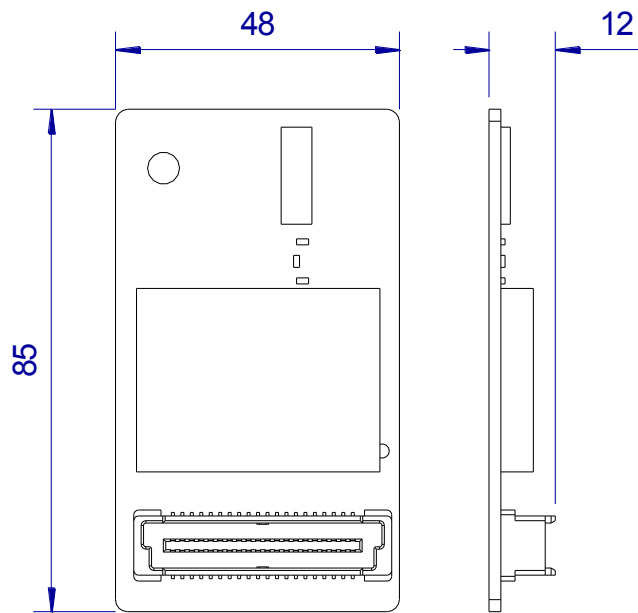
<sup>1)</sup> In order to prevent a decrease in range, it is not suitable to place the antenna nearby sources of electromagnetic interference. A strong electromagnetic field may worsen or even disable correct functionality! Range also depends on the material the module is built into. Conductive materials and objects nearby reduce the range. If the building structure allows it (e.g. a plasterboard partition), it is suitable to extend the receiver antenna into free space, a cavity or a wiring harness to prevent it from forming a loop. **Tangling the antenna into a mounting box may significantly reduce its range or even disable its functionality!**

**Before using the module, we recommend measuring the signal strength in the place of installation!**

## ORDERING INFORMATION

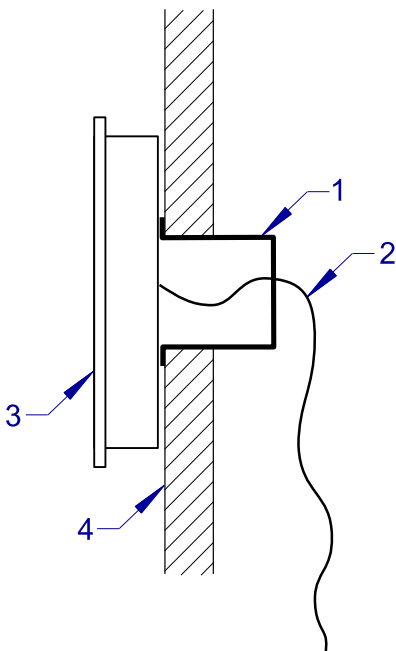
<b>AW-P868A</b>	Wireless communication module 868 MHz, antenna with double isolation
-----------------	--

## MECHANICAL DIMENSIONS

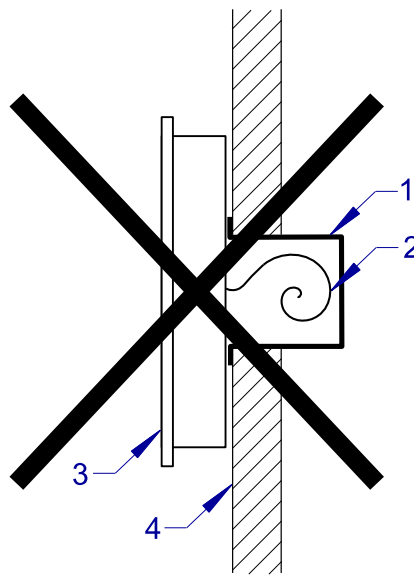


## ANTENNA MOUNTING PROCEDURE

### CORRECT MOUNTING



### INCORRECT MOUNTING



Number	Description
1	KU-68
2	Antenna
3	AMR-OP87P
4	Brickwork