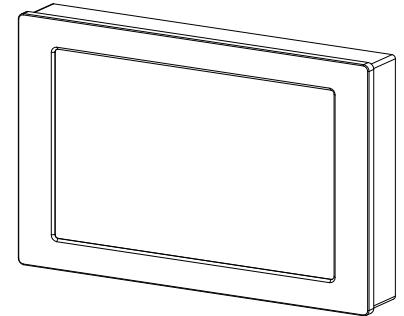


# AMR-OP87/Pxx

Control operator panel

- TFT 7", 800 × 480, RGB
- Resistive touch panel
- 1× RS485, Ethernet 10/100 Mbps
- Integrated web server
- Power supply 24 V DC
- Mounting on the wall in the installation box KU68



## TECHNICAL DATA

<b>Processor</b>	STM32F437
Memory Flash / EEPROM	2 MB + 16 MB / 32 KB
Backed-up RAM memory	1 MB
<b>RTC</b>	Yes, included with CPU
Accuracy (25 °C)	±20 ppm
RAM + RTC back-up	CR1632 Lithium battery
Battery lifetime	5 years in normal environment
<b>Display</b>	TFT, 7", RGB
Resolution	(800 × 480) pixels
Visible area	(152.4 × 91.4) mm
Backlight / lifetime	White LED / 20,000 hours
Operation	Resistive touch panel
<b>Communication</b>	
Serial communication channel	1× RS485 (connector WAGO 231)
Galvanic isolation	No
Max. number of units in the RS485 segment	256
Ethernet	IEEE802.3 (connector RJ45)
<b>Power supply</b>	19.2 V DC to 28.8 V DC
Consumption	Max. 150 mA at 24 V DC
Connection point	WAGO 231-335/001-000
<b>Other</b>	
Ingress protection rate	IP20
Operating temperature range	-20 °C to 70 °C *)
Maximum ambient humidity	< 95 % non-condensing
Mounting	On the wall on the installation box KU68 via console
Weight	0.80 kg
Dimensions (w × h × d)	(194 × 124 × 33) mm
Programming	DetStudio / EsiDet

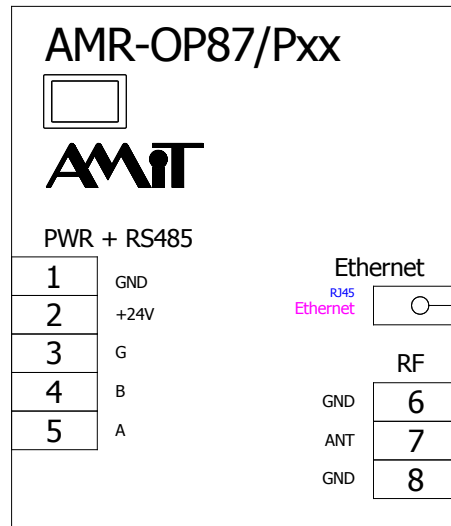
\*) At temperatures above 40 °C, the maximum display backlight level is reduced; at temperatures above 70 °C, the display turns off.

## ORDERING INFORMATION

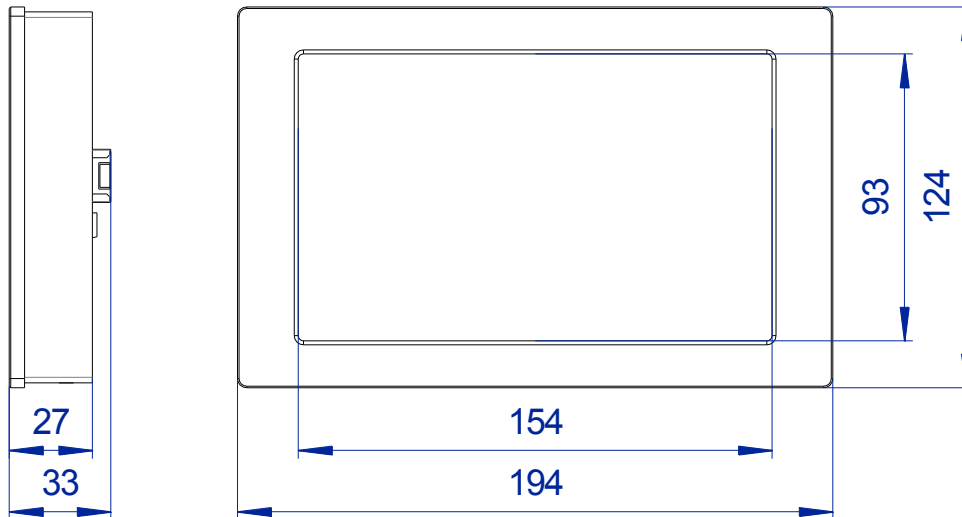
<b>AMR-OP87/Pxx</b> <sup>1)</sup>	Control operator panel, connector WAGO, lithium battery, mounting console
-----------------------------------	---

<sup>1)</sup> xx represents the colour combination of the mechanics. Available upon request at AMIT Sales department.

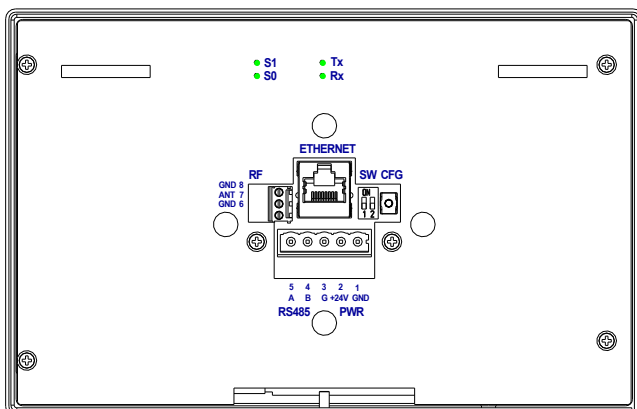
## RECOMMENDED DRAWING SYMBOL



## MECHANICAL DRAWING



## DESCRIPTION OF TERMINALS



### Power supply

Terminal	Signal	Description
1	GND	Power supply, ground
2	+24V	Power supply, +24 V DC

### RS485

Terminal	Signal	Description
3	G	RS485, ground
4	B	RS485, signal B
5	A	RS485, signal A

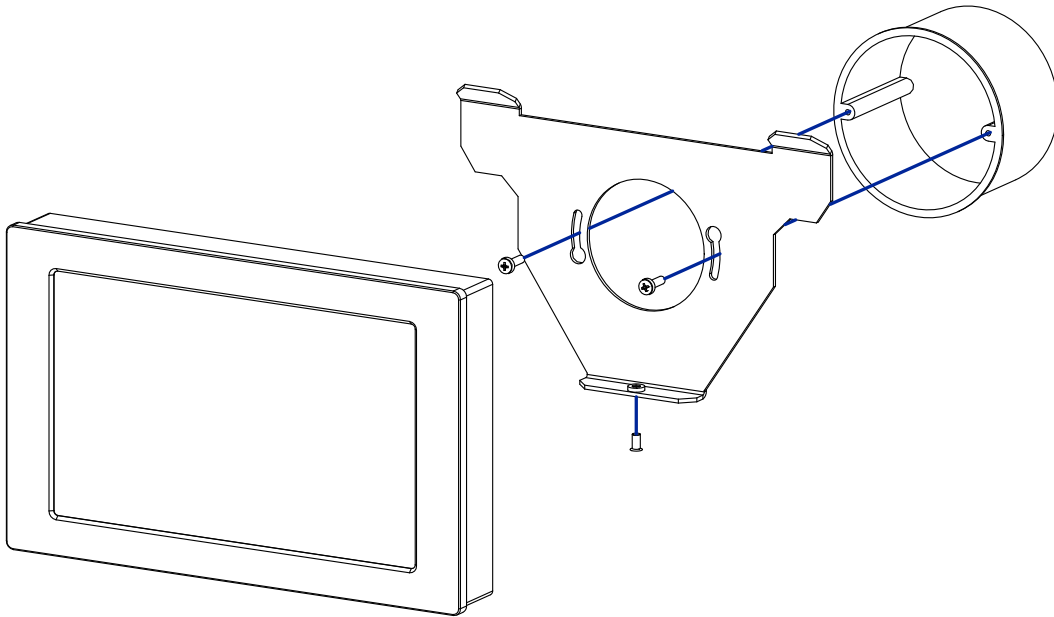
### RF

Terminal	Signal	Description
6	GND	Reserved for future use
7	ANT	
8	GND	

## AMR-OP87/Pxx

Control operator panel

### MOUNTING



Mounting procedure to the installation box KU68 on the wall

Data in this datasheet is informative only. Binding detailed information can be found in the operation manual ([amr-op87pxx\\_g\\_en\\_xxx.pdf](#)). Documentation and examples can be downloaded from [amitotion.com](#).

*The manner of usage of the system peripheries is determined by the current options of DetStudio / EsiDet.*