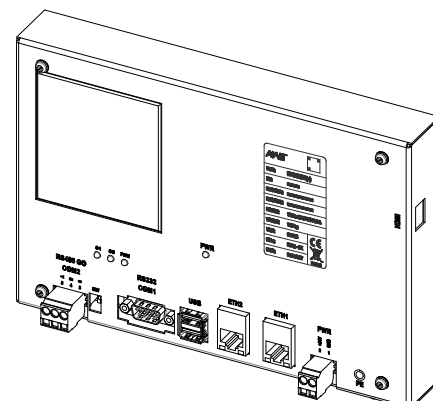


# PPC4000A(x)

Industrial computer

- Intel® Atom™ single core 1.46 GHz
- 2 GB RAM, 4 GB eMMC Flash
- 2× Ethernet 1 Gbps, RJ45
- 2× USB 2.0 type A
- 1× RS232, 1× RS485 with GI
- 1× HDMI type A
- MiniPCIe/mSATA slot, microSD card slot
- Linux / TouchDet / Windows



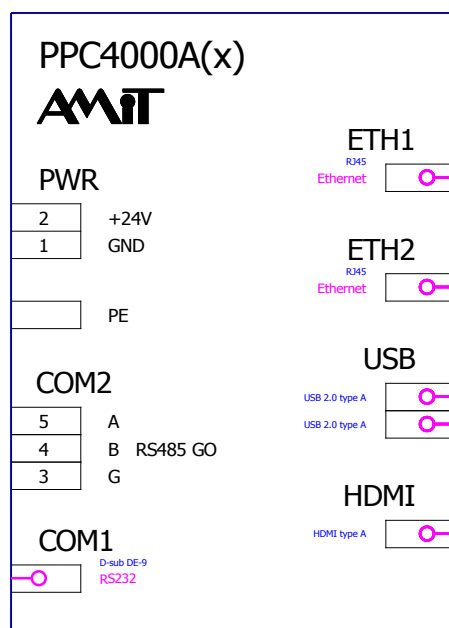
## TECHNICAL DATA

<b>CPU</b>	Intel Atom E3815 Single-Core 1.46 GHz, 2 GB RAM DDR3L, 4 GB eMMC Flash
RTC back-up	Lithium battery B-CR2032
<b>Operating system</b>	Linux / Windows
<b>Communication</b>	
USB	2× USB 2.0 type A
Ethernet	2× 1 Gbps / RJ45
RS232	1× D-sub DE-9, plug
RS485 with GI	1×
HDMI	1× type A
<b>External storage slots</b>	
MicroSD card slot	1×
MiniPCIe/mSATA slot	1×
<b>Power supply</b>	16.8 V DC to 33.6 V DC
Consumption	Max. 0.4 A at 24 V DC
<b>Other</b>	
Mounting	On DIN 35 mm rail
Colour	Black soft matted RAL 9005
Ingress protection rate – front panel / rear cover	IP20
Operating temperature range	-20 °C to 50 °C
Maximum ambient humidity	< 90 % non-condensing
Weight	1.30 kg
Dimensions (w × h × d)	(222.5 × 164 × 57) mm

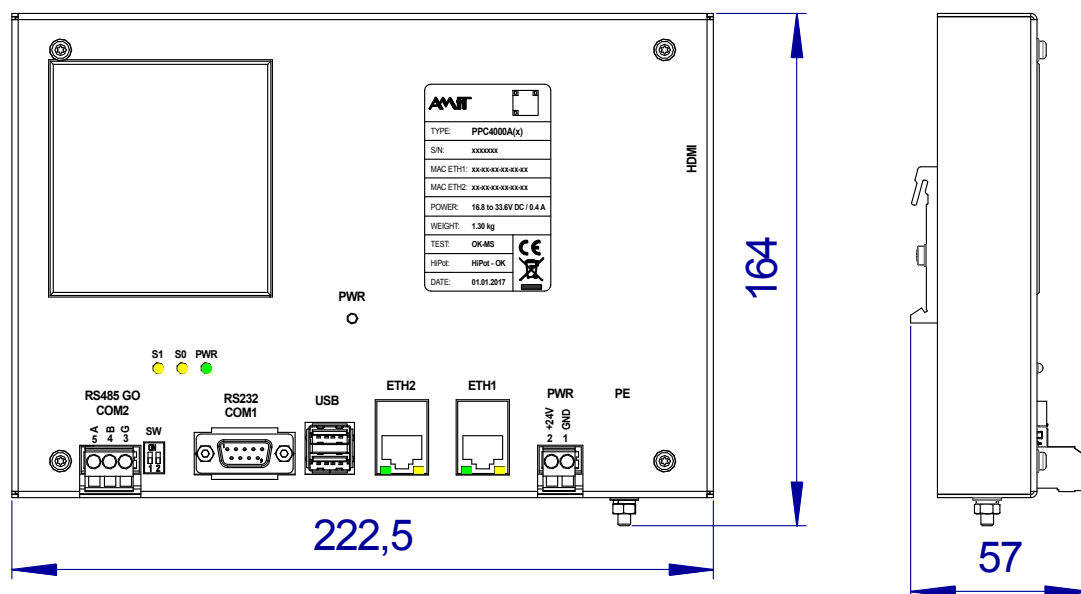
## ORDERING INFORMATION

<b>PPC4000A</b>	Industrial computer with Linux operating system, connector counterparts
<b>PPC4000AT</b>	Industrial computer with TouchDet environment, connector counterparts
<b>PPC4000AW</b>	Industrial computer with Windows operating system, MSATA SSD 128 GB/l, connector counterparts

## RECOMMENDED DRAWING SYMBOL



## MECHANICAL DRAWING



## DESCRIPTION OF TERMINALS

### Power supply

Terminal	Signal	Description
1	GND	Power supply, ground
2	+24V	Power supply, +24 V DC

### RS485 with galvanic isolation

Terminal	Signal	Description
3	G	RS485 with GI, ground
4	B	RS485 with GI, signal B
5	A	RS485 with GI, signal A

Data in this datasheet is informative only. Binding detailed information can be found in the operation manual ([ppc4000ax\\_g\\_en\\_xxx.pdf](#)). Documentation can be downloaded at [amitautomation.com](http://amitautomation.com).