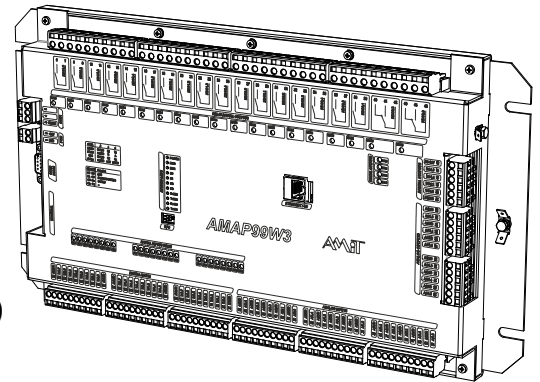


AMAP99W3

Compact control system

- 24× digital input 24 V GI
- 19× relay output U
- 4× digital output 24 V/0.5 A GI
- 15× analogue input U/I/RTD
- 0/2/4/6 analogue outputs U/I
- Ethernet 10/100 Mbps, RS232
- Optional RS485/CAN/M-Bus/RS232
- Integrated webserver, micro SD card slot
- Allows to connect terminal APT130 (4 × 20 chars)
- Power supply 24 V DC
- Programmable in DetStudio



TECHNICAL DATA

CPU	
Memory Flash / RAM / EEPROM	256 KB + 2,048 KB / 1,024 KB / 32 KB
Inputs	24× DI + 15× AI
Digital inputs	24 V DC/AC
Analogue inputs	(0 to 10) V DC / (0 to 5) V DC / (0 to 20) mA DC / RTD
GI of digital inputs	Yes ¹⁾
GI of analogue inputs	No
Outputs	19× RDO + 4× DO + max. 6× AO ²⁾
Digital outputs with GI ¹⁾	17× SPST relay outputs 230 V/6 A AC 2× SPDT relay outputs 230 V/6 A AC 4× 24 V/0.5 A DC
Analogue outputs without GI – with module AM-AO2U – with module AM-AO2I	(0 to 10) V DC, maximum load 10 mA (0 to 20) mA DC, maximum impedance 500 Ω
Communication	
Serial communication channel	1× RS232 (D-sub DE-9)
Ethernet	1× 10/100 Mbps (RJ45), in accordance with IEEE802.3
Optional interfaces on the module	RS485 (with module AM-RS485) CAN (with module AM-CAN) RS232 (with module AM-RS232) ³⁾ M-Bus (with module AM-MBUS/1-3)
Power supply	19.2 V DC to 28.8 V DC
Maximum consumption (without outputs)	400 mA @ 24 V DC
Other	
Display + keyboard	Optional external terminal APT130 ⁴⁾
Signal connection	Cage clamps WAGO 231
Ingress protection rate	IP20
Operating temperature range	-40 °C to 65 °C
Maximum ambient humidity	< 95 % non-condensing
Mounting	Onto switchboard base plate
Weight	3.18 kg
Dimensions (w × h × d)	(423 × 230 × 43) mm

¹⁾ Isolation strength 500 V AC/1 min., galvanic isolation must not be used for separation of dangerous voltages.

²⁾ Maximum 3 modules, total 6 analogue outputs.

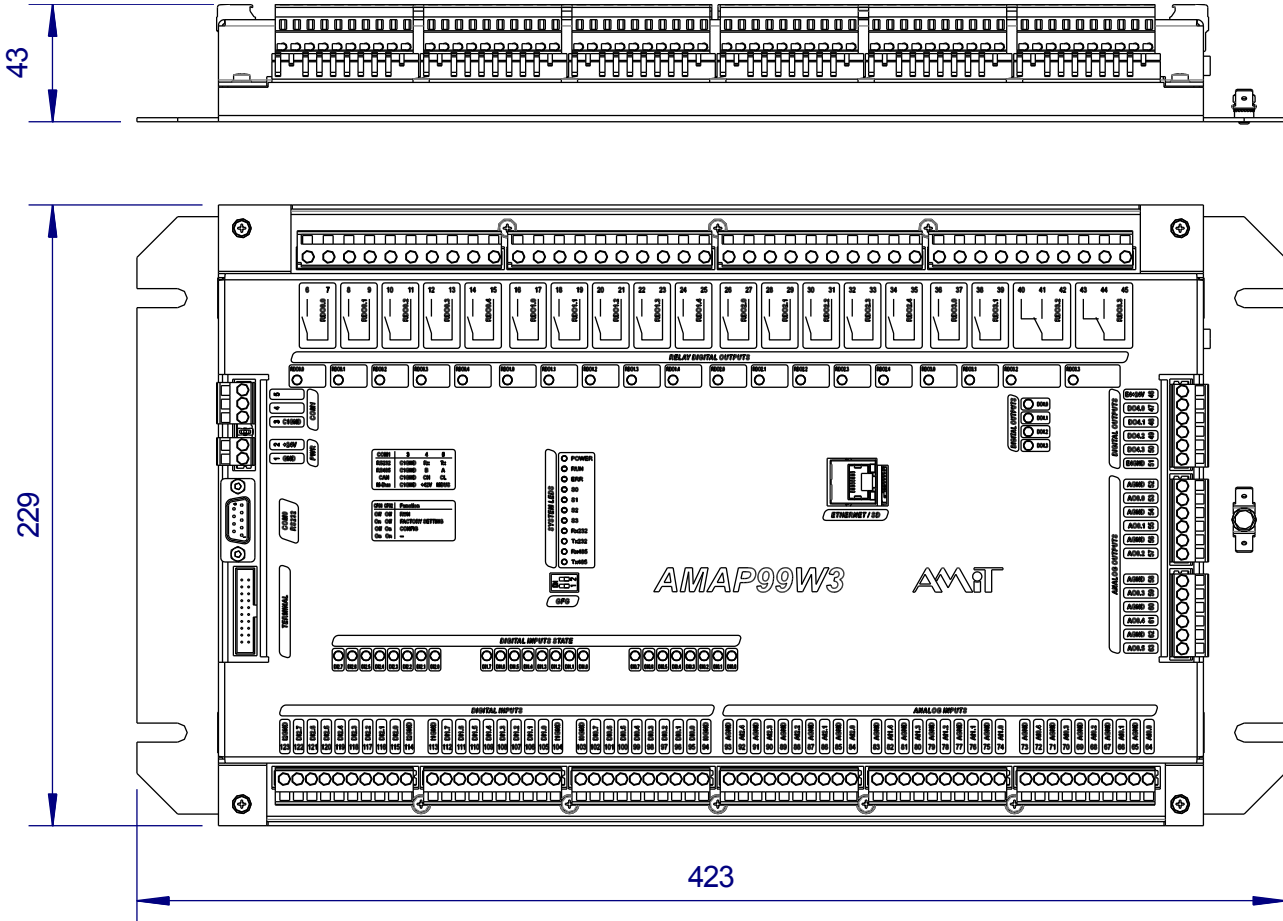
³⁾ Only signals Rx, Tx.

⁴⁾ Not included in the delivery.

ORDERING INFORMATION

AMAP99W3	Control system, connectors WAGO 231-xxx
AM-AO2I	Module of two analogue outputs (0 to 20) mA DC (max. 3 pcs AM-AO2x)
AM-AO2U	Module of two analogue outputs (0 to 10) V DC (max. 3 pcs AM-AO2x)
AM-CAN	Communication module for CAN with galvanic isolation
AM-MBUS/1-3	Communication module for M-Bus with galvanic isolation
AM-RS232	Communication module for RS232 without galvanic isolation, only Rx and Tx
AM-RS485	Communication module for RS485 with galvanic isolation

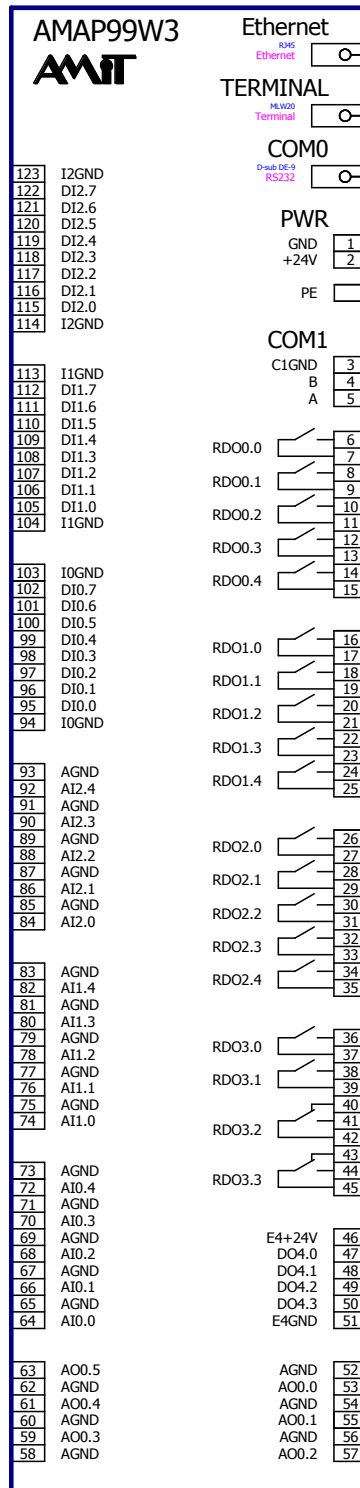
MECHANICAL DIMENSIONS



AMAP99W3

Compact control system

RECOMMENDED DRAWING SYMBOL



Data provided in this datasheet is informative only. Binding detailed information can be found in the operation manual ([amap99w3_g_en_xxx.pdf](#)). Documentation and examples are available for download at amitautomation.com.

