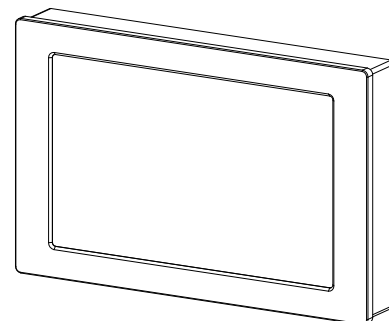


AMR-OP87/Pxx RevA

Graphic operator panel

- TFT 7", (800 × 480) pixels, RGB
- Resistive touch panel
- 1× RS485, Ethernet 10/100 Mbps
- Integrated web server
- Power supply 24 V DC
- Mounting on the wall in the installation box KU68



TECHNICAL DATA

Processor	STM32F437
Memory Flash / EEPROM	2 MB + 16 MB / 32 KB
Backed-up RAM memory	1 MB
RTC	Yes, included with CPU
Accuracy (25 °C)	±20 ppm
RAM + RTC back-up	CR1632 Lithium battery
Battery lifetime	5 years in normal environment
Display	TFT, 7", RGB
Resolution	(800 × 480) pixels
Visible area	(152.4 × 91.4) mm
Backlight / lifetime	White LED / 20,000 hours
Operation	Resistive touch panel
Communication	
Serial communication channel	1× RS485 (connector WAGO 231)
Galvanic isolation	No
Max. number of units in the RS485 segment	256
Ethernet	IEEE802.3 (connector RJ45)
Power supply	19.2 V DC to 28.8 V DC
Consumption	Max. 150 mA at 24 V DC
Connection point	WAGO 231-335/001-000
Other	
Ingress protection rate	IP20
Operating temperature range	-20 °C to 70 °C *)
Maximum ambient humidity	< 95 % non-condensing
Mounting	On the wall on the installation box KU68 via console
Weight	0.80 kg
Dimensions (w × h × d)	(194 × 124 × 33) mm
Programming	DetStudio / EsiDet

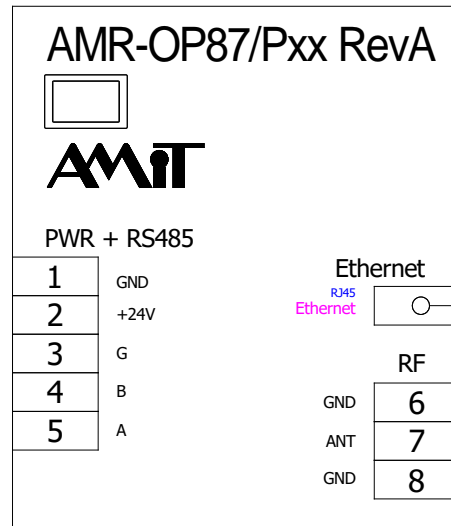
*) At temperatures above 40 °C, the maximum display backlight level is reduced; at temperatures above 70 °C, the display turns off.

ORDERING INFORMATION

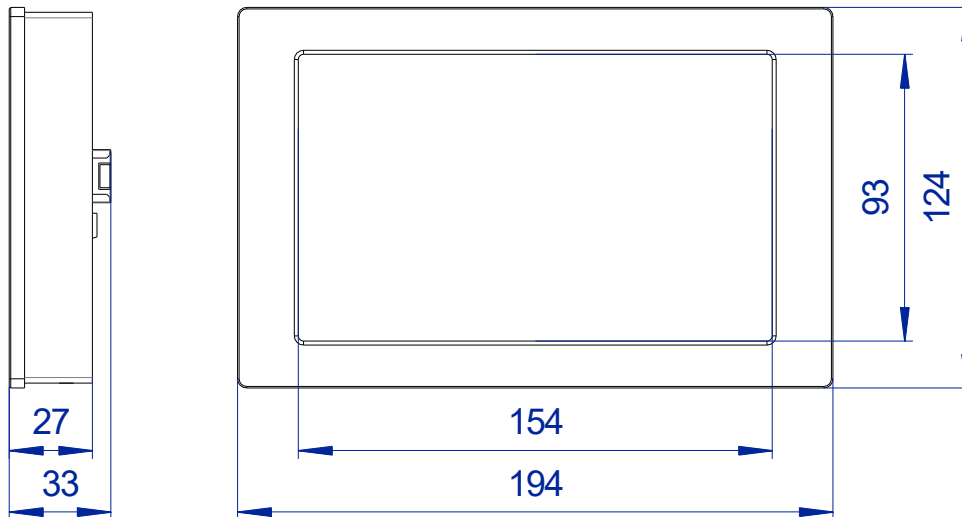
AMR-OP87/Pxx RevA ¹⁾	Graphic operator panel, connector WAGO, lithium battery, mounting console
--	---

¹⁾ xx represents the colour combination of the mechanics. Available upon request at AMIT Sales department.

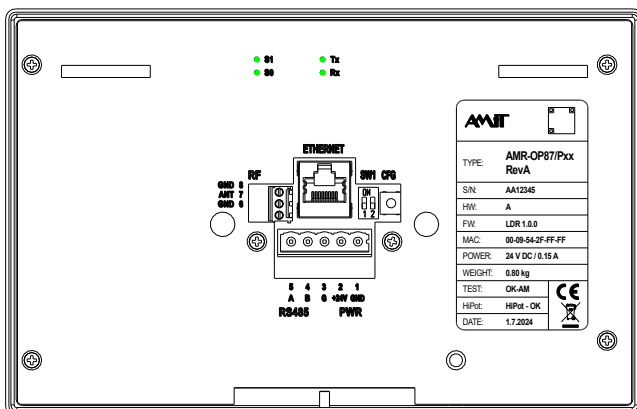
RECOMMENDED DRAWING SYMBOL



MECHANICAL DRAWING



DESCRIPTION OF TERMINALS



Power supply

Terminal	Signal	Description
1	GND	Power supply, ground
2	+24V	Power supply, +24 V DC

RS485

Terminal	Signal	Description
3	G	RS485, ground
4	B	RS485, signal B
5	A	RS485, signal A

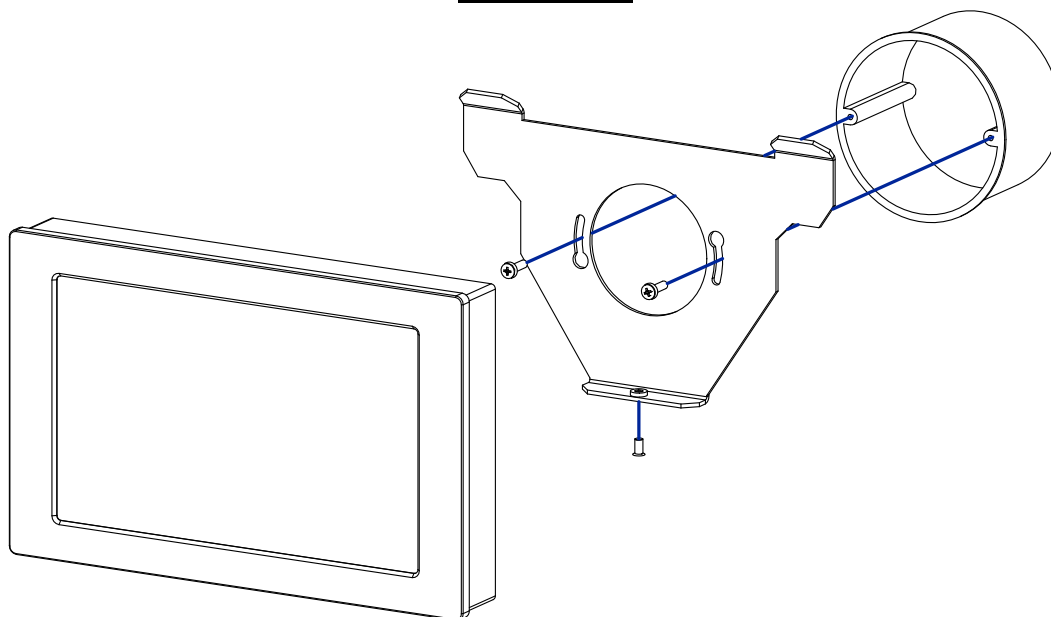
RF

Terminal	Signal	Description
6	GND	Reserved for future use
7	ANT	
8	GND	

AMR-OP87/Pxx RevA

Graphic operator panel

MOUNTING



Mounting procedure to the installation box KU68 on the wall

Data in this datasheet is informative only. Binding detailed information can be found in the operation manual ([amr-op87pxx_g_en_xxx.pdf](#)). Documentation and examples can be downloaded from [amitautomation.com](#).

The manner of usage of the system peripheries is determined by the current options of DetStudio / EsiDet.