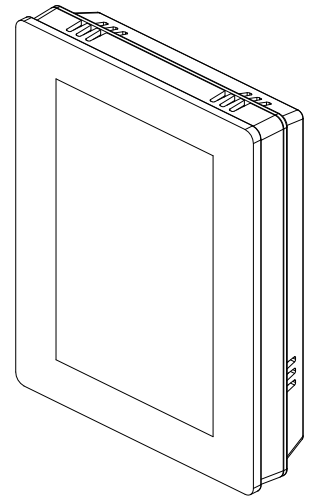


# AMR-OP75RHRC/xx

Room operating unit

- TFT 3.5", (320 × 480) pixels
- Capacitive touch panel
- RS485 communication interface  
Measurement of temperature, relative ambient humidity, and CO<sub>2</sub> concentration
- Acoustic signalling
- 1× RTD/NTC input
- 1× relay output
- Assembly by screwing/gluing
- Power supply, 24 V DC



## TECHNICAL DATA

<b>Display</b>	Graphic colour LCD
Resolution	(320 × 480) pixels (symmetric point)
Display area	(48.9 × 73.4) mm
Backlight / lifetime	LED / min. 50,000 hours <sup>1)</sup>
<b>Control</b>	Capacitive touch panel
<b>Temperature, humidity measurement</b>	Digital sensor
Temperature/humidity measurement range	-10 °C to 50 °C / 20 % to 80 %
Temperature measurement accuracy	±0.5 °C
Humidity measurement accuracy	±3 %
RH 20% to 60%	±{3 + [(RH-60)/10]} %
RH 60% to 80%	
Stabilisation time	45 min. <sup>2)</sup>
<b>CO<sub>2</sub> concentration measurement</b>	NDIR
Measurement range	400 ppm to 2,000 ppm
Accuracy	±(50 ppm + 5 % of reading)
Stabilisation time	60 s
Acoustic signalling	Piezo buzzer
<b>RTD/NTC input</b>	1× RTD (Ni1000/Pt1000)/NTC
Galvanic isolation	No
<b>Relay output</b>	1× SPST contact
Maximum switched current	0.25 A at 230 V AC/24 V DC (resistive load)
<b>Communication</b>	RS485 without GI
Number of units in an RS485 segment	256
<b>Power supply</b>	20 V DC to 30 V DC
Maximum consumption	100 mA at 24 V DC
<b>Other</b>	
Connection points	Terminal block PTS 1,5/10-PH-5,0
Ingress protection rate	IP20
Operating temperature range	-10 °C to 50 °C
Maximum ambient humidity	< 95 % non-condensing
Mounting	On-wall / KU68 / smooth surface
Weight	0.18 kg ±5 %
Dimensions (w × h × d)	(110 × 86 × 25) mm

<sup>1)</sup> Backlight intensity drop to 50 %.

<sup>2)</sup> During this time the accuracy is reduced to ±1 °C.

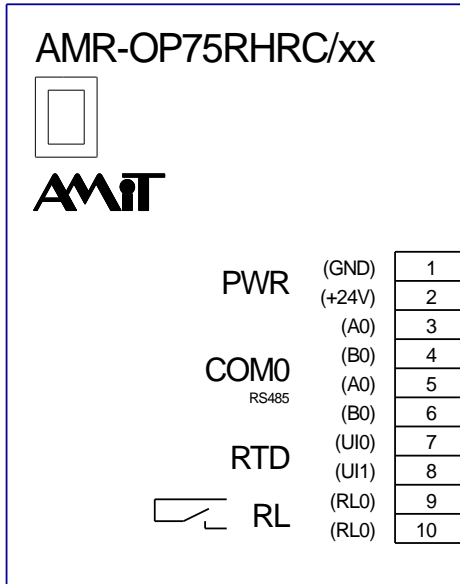
## ORDERING INFORMATION

AMR-OP75RHRC/xx	Room operating unit
-----------------	---------------------

Designation	Colour design
AMR-OP75RHRC/01	White, RAL 9003

Note: Small recesses on the surface and colour inhomogeneity do not justify a warranty claim.

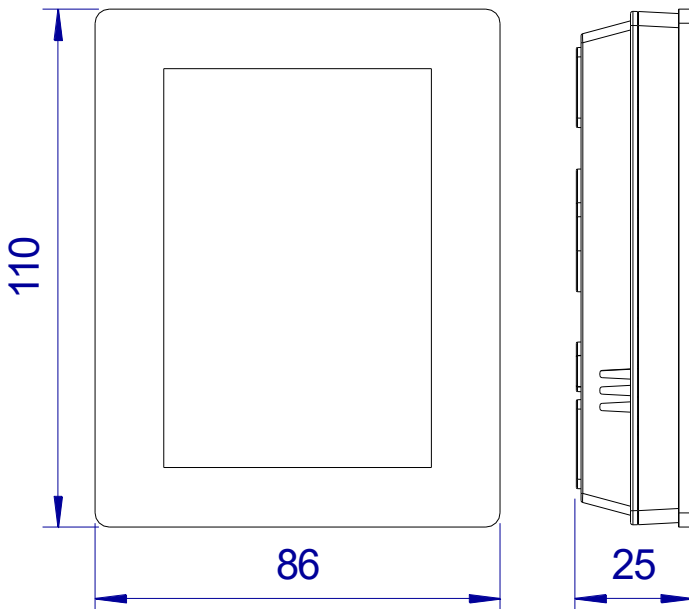
### RECOMMENDED DRAWING SYMBOL



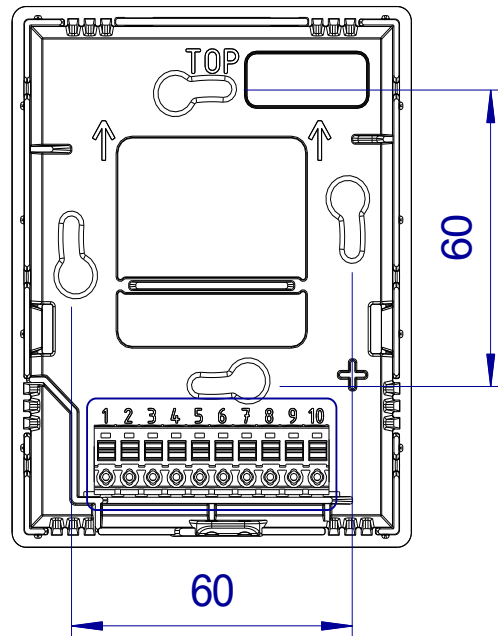
### DESCRIPTION OF TERMINALS

Terminal	Significance
1	Common ground
2	Power supply, +24 V DC
3	RS485, signal A0
4	RS485, signal B0
5	RS485, signal A0
6	RS485, signal B0
7	RTD input, UI0
8	RTD input, UI1
9	Relay output, RL0, terminal 1
10	Relay output, RL0, terminal 2

### MECHANICAL DIMENSIONS



### BOX



Data in this datasheet is tentative. Binding detailed information can be found in the operation manual (amr-op75hrhx\_g\_en\_xxx.pdf). Documentation can be downloaded at [amitautomation.com](http://amitautomation.com).