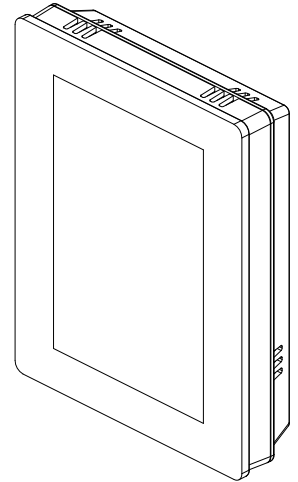


AMR-OP75RHR/xx

Room operating unit

- TFT 3.5", (320 × 480) pixels
- Capacitive touch panel
- RS485 communication interface
- Measurement of temperature and relative ambient humidity
- 1× RTD/NTC input
- 1× relay output
- Assembly by screwing/gluing
- Power supply, 24 V DC



TECHNICAL DATA

Display	Graphic colour LCD
Resolution	(320 × 480) pixels (symmetric point)
Display area	(48.9 × 73.4) mm
Backlight / lifetime	LED / min. 50,000 hours ¹⁾
Control	Capacitive touch panel
Temperature, humidity measurement	Digital sensor
Temperature / humidity measurement range	-10 °C to 50 °C / 20 % to 80 %
Temperature measurement accuracy	±0.5 °C
Humidity measurement accuracy RH 20% to 60% RH 60% to 80%	±3 % ±{3 + [(RH-60)/10]} %
Stabilisation time	45 min. ²⁾
RTD/NTC input	1× RTD (Ni1000/Pt1000)/NTC
Galvanic isolation	No
Relay output	1
Output type	SPST contact
Maximum switched current	0.25 A at 230 V AC / 24 V DC (resistive load)
Communication	RS485 without GI
Number of units in an RS485 segment	256
Power supply	20 V DC to 30 V DC
Maximum consumption	100 mA at 24 V DC
Other	
Connection points	Terminal block PTS 1,5/10-PH-5,0
Ingress protection rate	IP20
Operating temperature range	-10 °C to 50 °C
Maximum ambient humidity	< 95 % non-condensing
Mounting	On-wall / KU68 / smooth surface
Weight	0.18 kg ±5 %
Dimensions (w × h × d)	(110 × 86 × 25) mm

¹⁾ Backlight intensity drop to 50 %.

²⁾ During this time the accuracy is reduced to ±1 °C.

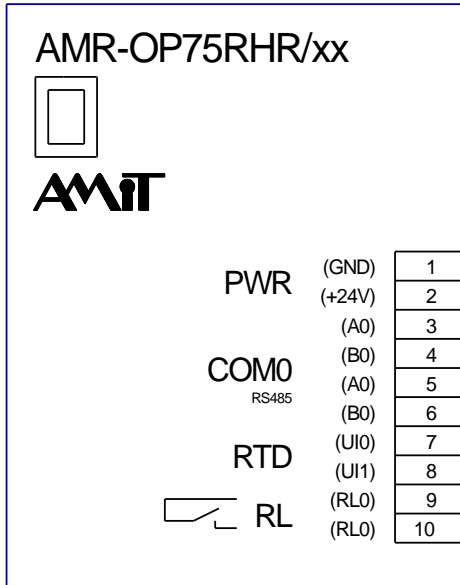
ORDERING INFORMATION

AMR-OP75RHR/xx	Room operating unit
----------------	---------------------

Designation	Colour design
AMR-OP75RHR/01	White, RAL 9003

Note: Small recesses on the surface and colour inhomogeneity do not justify a warranty claim.

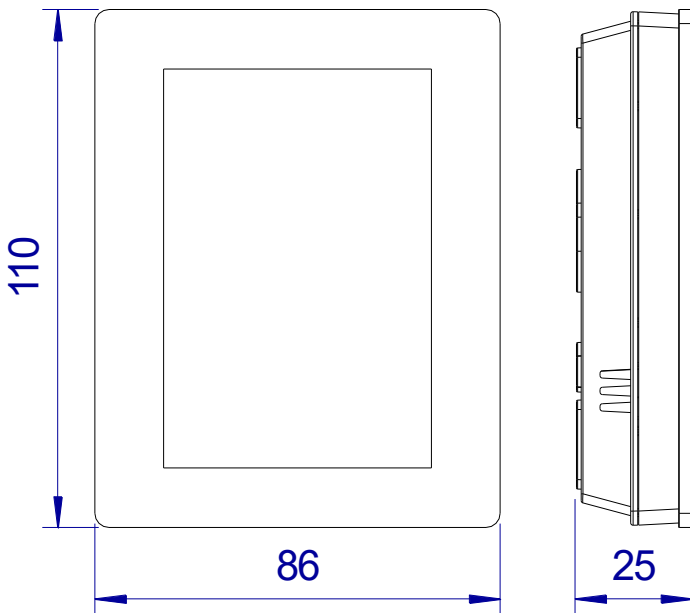
RECOMMENDED DRAWING SYMBOL



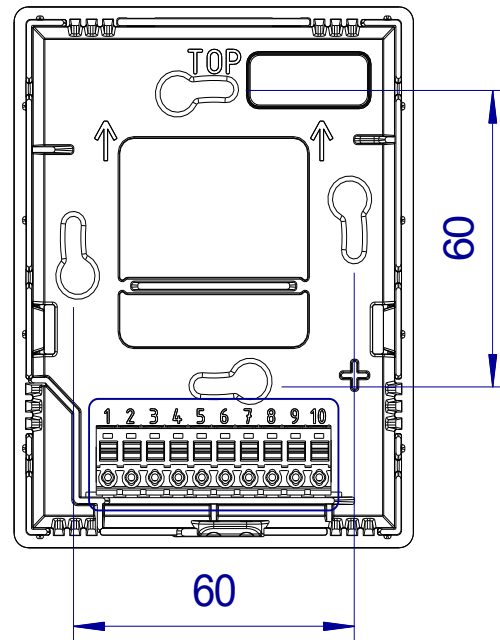
DESCRIPTION OF TERMINALS

Terminal	Significance
1	Common ground
2	Power supply, +24 V DC
3	RS485, signal A0
4	RS485, signal B0
5	RS485, signal A0
6	RS485, signal B0
7	RTD input, UI0
8	RTD input, UI1
9	Relay output, RL0, terminal 1
10	Relay output, RL0, terminal 2

MECHANICAL DIMENSIONS



BOX



Data in this datasheet is tentative. Binding detailed information can be found in the operation manual (amr-op75hrhx_g_en_xxx.pdf). Documentation can be downloaded at amitautomation.com.