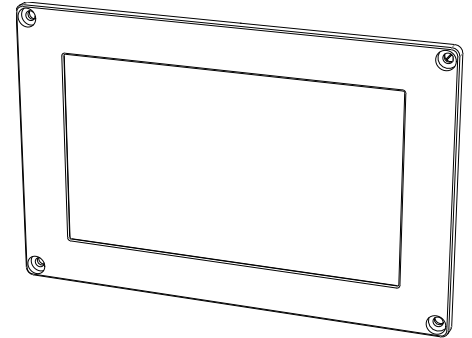


# APT4010A(x)

Panel computer 10.1"

- Intel® Atom™ single core 1.46 GHz
- 2 GB RAM, 4 GB eMMC Flash
- TFT 10.1" display, (1024 × 600) pixels
- Resistive touch panel
- 2× Ethernet 1 Gbps, RJ45
- 2× USB 2.0 type A, 1× RS232, 1× RS485 with GI
- MiniPCIe/mSATA slot, microSD card slot
- Linux / TouchDet / Windows



## TECHNICAL DATA

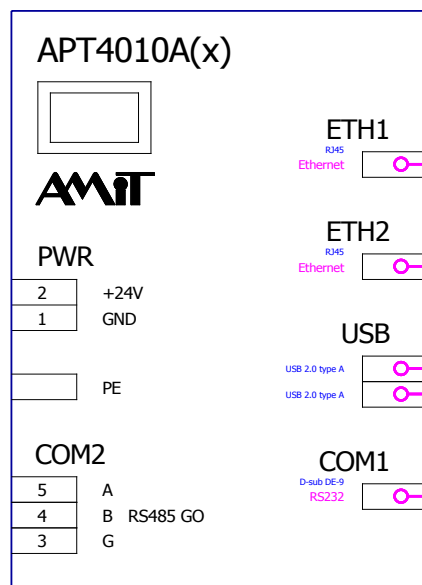
<b>CPU</b>	Intel Atom E3815 Single-Core 1.46 GHz, 2 GB RAM DDR3, 4 GB eMMC Flash
RTC back-up	Lithium battery B-CR2032
<b>Operating system</b>	Linux / Windows
<b>Display</b>	TFT 10.1", (1024 × 600) pixels, 262k colours
Brightness, contrast	Typ. 200 cd/m <sup>2</sup> , typ. 500:1
Viewing angles	Typically 140° horizontally, 120° vertically
Backlight / lifetime	LED / 20,000 hours *)
<b>Touch panel</b>	(227 × 128) mm, resistive
<b>Communication</b>	
USB	2× USB 2.0 type A
Ethernet	2× 1 Gbps / RJ45
RS232	1× D-sub DE-9, plug
RS485 with GI	1×
<b>External storage slots</b>	
MicroSD card slot	1×
miniPCIe/mSATA slot	1×
<b>Power supply</b>	16.8 V DC to 33.6 V DC
Consumption	Max. 0.5 A at 24 V DC
<b>Other</b>	
Mounting	Into switchboard panel
Colour	Black fine matte RAL 9005
Ingress protection rate – front panel / rear cover	IP54 / IP20
Operating temperature range	-20 °C to 50 °C
Maximum ambient humidity	< 90 % non-condensing
Weight	2.00 kg
Dimensions (w × h × d)	(290 × 187 × 56) mm

\*) Brightness drop to 50 %

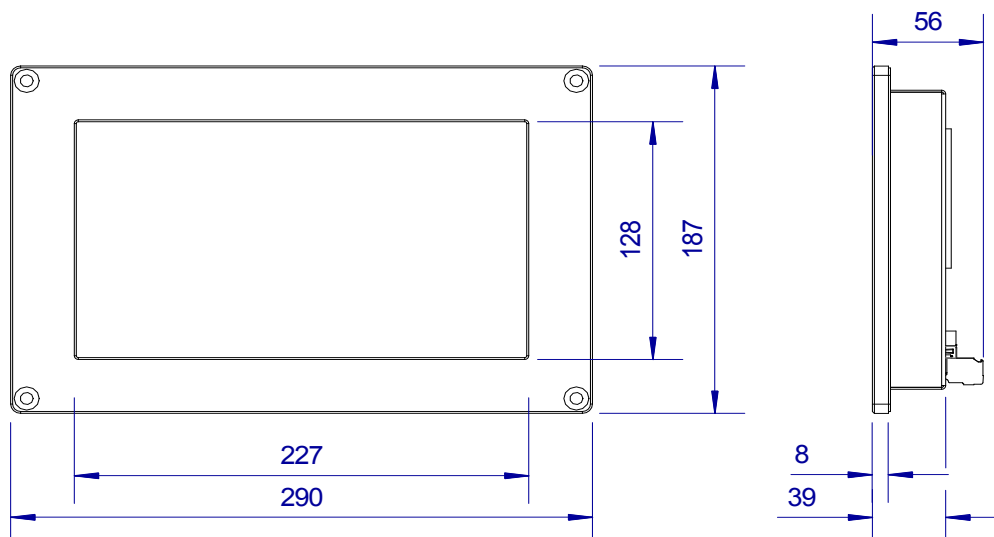
## ORDERING INFORMATION

<b>APT4010A</b>	Panel computer 10.1" with Linux operating system, connector counterparts
<b>APT4010AT</b>	Panel computer 10.1" with TouchDet environment, connector counterparts
<b>APT4010AW</b>	Panel computer 10.1" with Windows operating system, MSATA SSD 128 GB/l, connector counterparts

## RECOMMENDED DRAWING SYMBOL



## MECHANICAL DRAWING



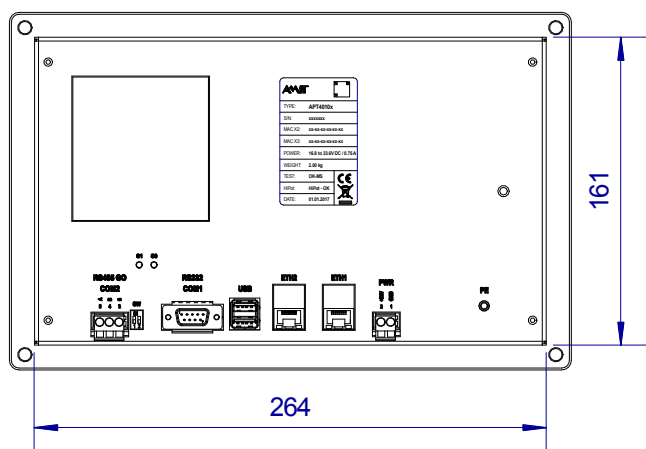
## DESCRIPTION OF TERMINALS

### Power supply

Terminal	Signal	Description
1	GND	Power supply, GND
2	+24V	Power supply +24 V DC

### RS485 with galvanic isolation

Terminal	Signal	Description
3	G	RS485 with GI, ground
4	B	RS485 with GI, signal B
5	A	RS485 with GI, signal A



Data provided in this datasheet is informative only. Detailed information can be found in the operation manual ([apt4010ax\\_g\\_en\\_xxx.pdf](#)). Documentation can be downloaded at [amitautomation.com](http://amitautomation.com).