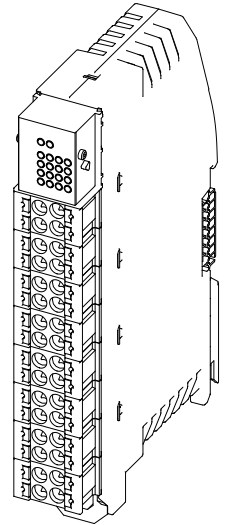


# AD4-DI16

16 digital inputs 24 V DC/AC

- 16× galvanically isolated input 24 V DC/AC
- Input status indication LED
- System bus for connection to AD4-CPS with TBUS connectors
- Maximum number of 64 modules in an assembly
- Mounted on a 35 mm DIN rail



## TECHNICAL DATA

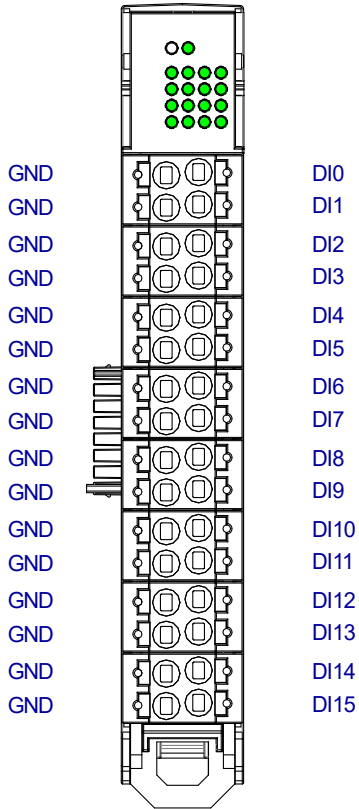
<b>Inputs</b>	16
Common conductor	GND
Output voltage	Min. -30 V, max. 5 V Min. 16 V, max. 30 V
Input current	3 mA at 24 V DC
Peak input current	Max. 9 mA at 30 V DC
Maximum frequency	200 kHz
Galvanic isolation	Yes
GI strength	500 V AC / 1 minute *)
<b>Power supply</b>	
Maximum module power consumption	0.35 W
<b>Other</b>	
Connection to the system bus	TBUS connectors
Maximum number of modules in an assembly	64
Signals connection	Phoenix Contact, HSCP-SP series Push-in spring clamps
Ingress protection rate	IP20
Operating temperature range	-40 °C to 70 °C
Maximum ambient humidity	< 95 % non-condensing
Mounting	On a 35 mm DIN rail
Weight	0.09 kg
Dimensions	(124.3 × 18.7 × 76.5) mm

\*) Galvanic isolation must not be used for separation of safe and dangerous parts.

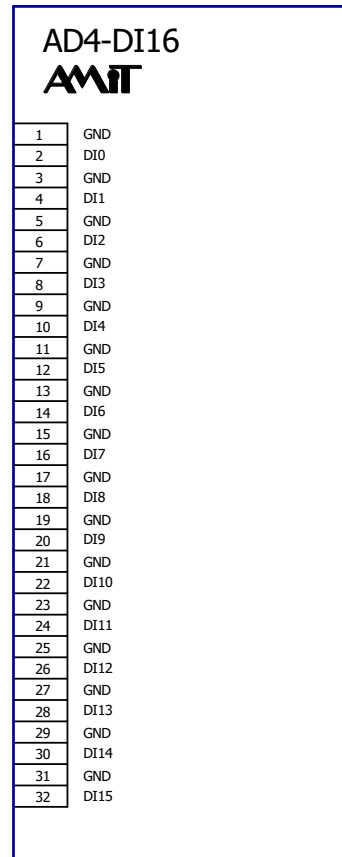
## ORDERING INFORMATION

<b>AD4-DI16</b>	Module 16 digital inputs, connectors Phoenix Contact, HSCP-SP
<b>TBUS8-18,8-7P1S</b>	System bus connector (not included in the module delivery)

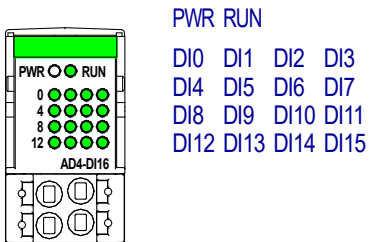
## CONNECTOR LAYOUT



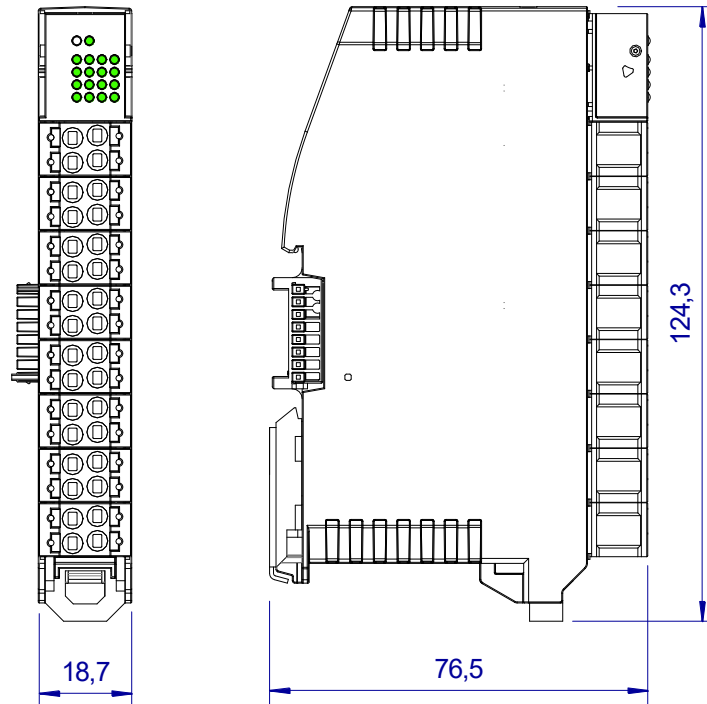
## RECOMMENDED DRAWING SYMBOL



## LED PLACEMENT



## MECHANICAL DIMENSIONS



Binding detailed information can be found in the operation manual ([adis4\\_g\\_en\\_xxx.pdf](#)). Documentation and examples are available at [amitautomation.com](http://amitautomation.com).