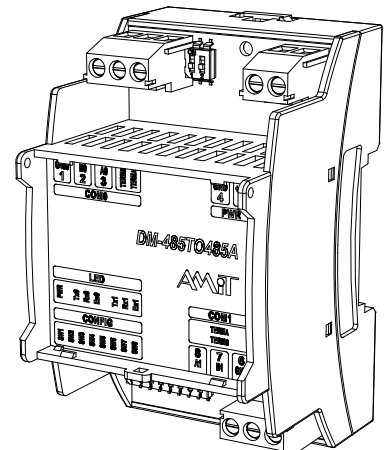


# DM-485TO485A

Repeater RS485

- Galvanic isolation with soft surge protectors
- Communication rate 2.4 kbps to 115.2 kbps
- Automatic communication direction switching
- Indication of interface status by LED
- DIN rail mounting
- Power supply, 24 V DC



## TECHNICAL DATA

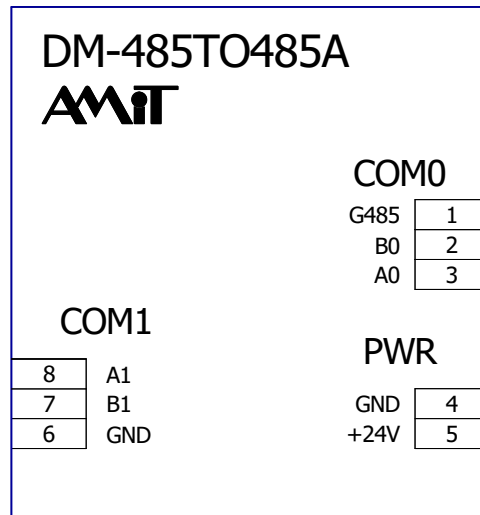
<b>Communication</b>	2× RS485
Communication rate	(2.4 to 115.2) kbps
Communication control	Automatic
Galvanic isolation RS485 (COM0) <sup>1)</sup>	Yes
Galvanic isolation RS485 (COM1)	No
RS485 overvoltage protection	Transil 600 W
No. of stations per RS485 segment	256
<b>Power supply</b>	10 V DC to 30 V DC
Maximum consumption	30 mA at 24 V DC
Overvoltage protection	Yes
<b>Other</b>	
Connection	Screw terminals
Ingress protection rate	IP20
Operating temperature range	-40 °C to 70 °C
Maximum ambient humidity	< 95 % non-condensing
Mounting	On a 35 mm DIN rail
Weight	0.08 kg
Dimensions (w × h × d)	(54 × 92 × 61) mm

<sup>1)</sup> Isolation strength 300 V AC/1 min., galvanic isolation must not be used for separation of dangerous parts.

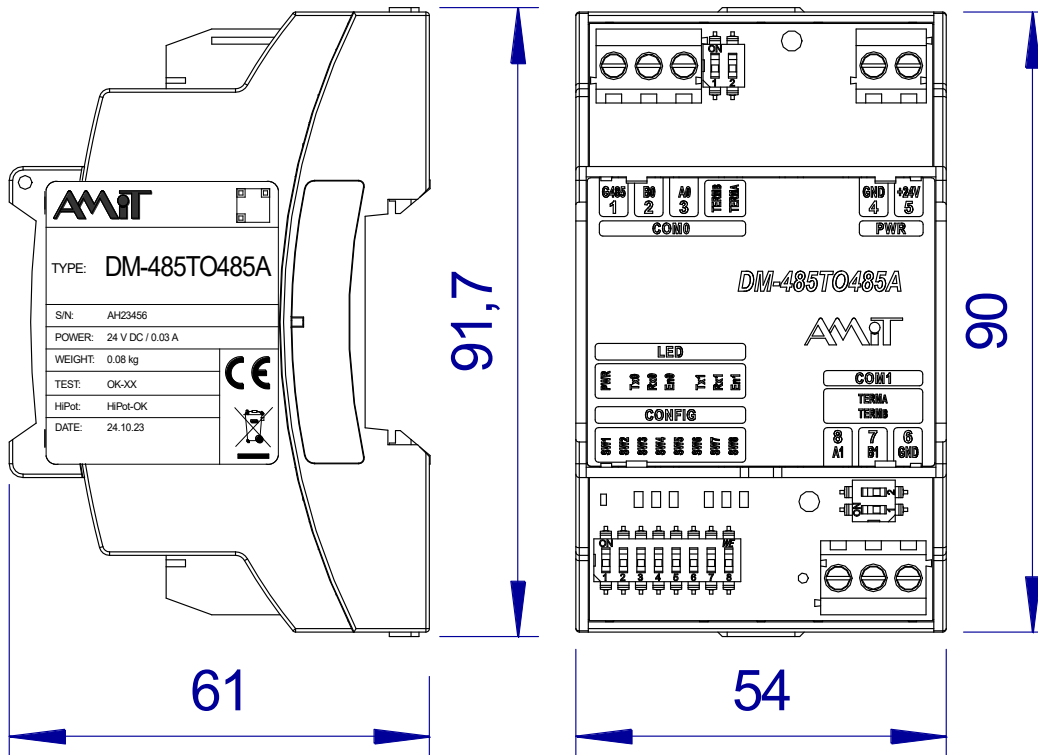
## ORDERING INFORMATION

<b>DM-485TO485A</b>	Repeater RS485
---------------------	----------------

## RECOMMENDED DRAWING SYMBOL



## MECHANICAL DIMENSIONS



## DESCRIPTION OF TERMINALS

Terminal	Signal	Significance
1	G485	RS485 (COM0), ground
2	B0	RS485 (COM0), signal B
3	A0	RS485 (COM0), signal A
4	GND	Power supply, ground
5	+24V	Power supply, +24 V DC
6	GND	RS485 (COM1), ground
7	B1	RS485 (COM1), signal B
8	A1	RS485 (COM1), signal A

Data in this datasheet is tentative. Binding detailed information can be found in the operation manual ([dm-485to485a\\_g\\_en\\_XXX.pdf](#)). Documentation can be downloaded at [amitautomation.com](http://amitautomation.com).