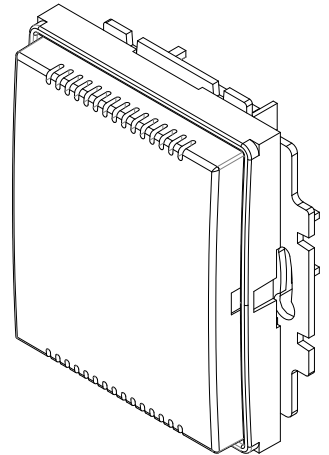


# AMR-OP40/xx

Programmable on-wall controller

- Room temperature measurement
- MODBUS RTU/ARION (RS485) communication
- ABB Time/Time Arbo/Element design
- Possibility of user programming



## TECHNICAL DATA

|                                 |                                   |
|---------------------------------|-----------------------------------|
| <b>Temperature measuring</b>    | Electronically                    |
| Measuring range                 | -55 °C to +125 °C <sup>1)</sup>   |
| Temperature measuring precision | ±0.5 °C (0 °C to 50 °C)           |
| Settling time                   | < 20 s                            |
| <b>Communication</b>            | 1 × RS485                         |
| Galvanic isolation              | No                                |
| Number of segment units         | 256                               |
| <b>Power supply</b>             | 10 V DC to 30 V DC                |
| Maximum power consumption       | 40 mA at 24 V DC                  |
| <b>Others</b>                   |                                   |
| Ingress protection rate         | IP20                              |
| Operating temperature range     | -10 °C to 50 °C                   |
| Maximum ambient humidity        | < 95 % non-condensing             |
| Mounting                        | Into junction box KU68 with frame |
| Frame design                    | ABB Time/Time Arbo/Element        |
| Weight                          | 0.049 kg                          |
| Dimensions                      | (71 × 71 × 33) mm <sup>2)</sup>   |
| <b>Application software</b>     | TA_OP40_FW01AM_xxx <sup>3)</sup>  |
| <b>Programming</b>              | DetStudio/ EsiDet                 |

<sup>1)</sup> Sensing element parameter, the working temperature range of on-wall controller is lower.

<sup>2)</sup> Final dimensions depend on frame type.

<sup>3)</sup> Application program is free to download from [www.amitautomation.com](http://www.amitautomation.com).

## ORDERING INFORMATION

|                           |                    |
|---------------------------|--------------------|
| AMR-OP40/xx <sup>1)</sup> | On-wall controller |
|---------------------------|--------------------|

<sup>1)</sup> xx stands for colour design, see table on the next page.

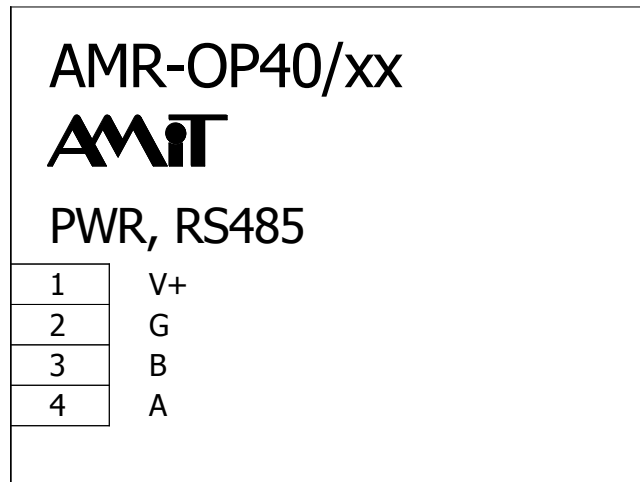
| Label       | Colour design                   |
|-------------|---------------------------------|
| AMR-OP40/01 | White/ice white, Time / Element |
| AMR-OP40/03 | White /white, Time / Element    |
| AMR-OP40/04 | White / ice grey, Element       |
| AMR-OP40/07 | Caramel/ice grey, Element       |
| AMR-OP40/08 | Titanium, Time                  |
| AMR-OP40/21 | Ivory/ice white, Element        |
| AMR-OP40/22 | Agave/ice white, Element        |
| AMR-OP40/24 | Crimson/ice grey, Element       |
| AMR-OP40/25 | Coffee/ice opal, Element        |
| AMR-OP40/32 | Old silver, Time                |
| AMR-OP40/33 | Champagne, Time                 |
| AMR-OP40/34 | Anthracite, Time                |
| AMR-OP40/36 | Steel, Time                     |

Note: recess on the surface and colour inhomogeneity are not a reason for warranty claim.

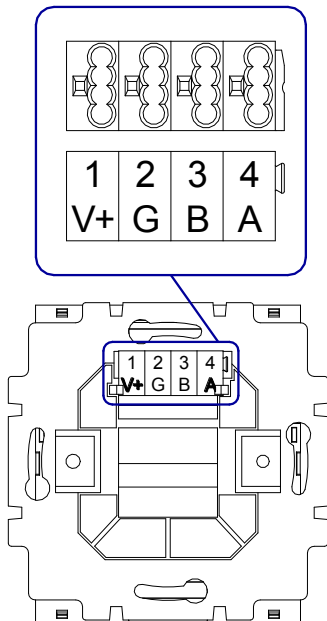
## TERMINALS IDENTIFICATION

| Terminal | Signal | Description               |
|----------|--------|---------------------------|
| 1        | V+     | Power supply +24 V DC     |
| 2        | G      | Ground                    |
| 3        | B      | RS485 interface, signal B |
| 4        | A      | RS485 interface, signal A |

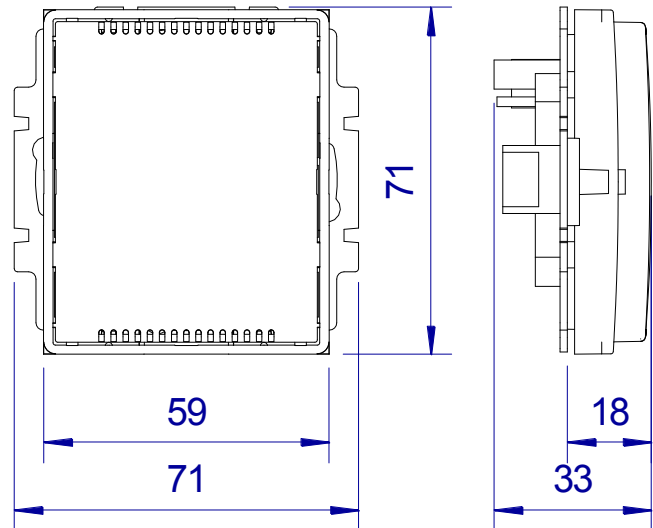
## RECOMMENDED DRAWING SYMBOL



## LOCATION OF TERMINALS



## MECHANICAL DIMENSIONS



Data provided in this datasheet are informative only. Detailed information can be found in operational manual ([amr-op40xx\\_g\\_en\\_xxx.pdf](#)).

Documentation and examples can be downloaded from [www.amitautomation.com](http://www.amitautomation.com).