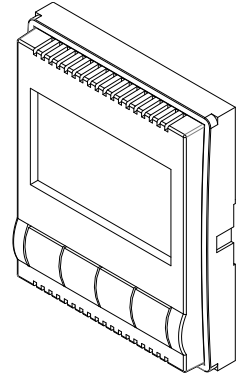


AMR-OP60B/xx

Programmable on-wall controller

- Graphical white & blue LCD
- Measuring of room temperature
- Controlled by four buttons
- Modbus RTU / Arion (RS485) communication
- ABB Time / Time Arbo / Element design
- Possibility of user programming
- Power supply 24 V DC



TECHNICAL DATA

Display	Graphical white & blue LCD
Resolution	(256 × 128) pixels (asymmetric pixel)
Display area	(44 × 25) mm
Backlight / lifetime	LED / min. 50 000 hours ¹⁾
Temperature measuring	Electronically
Measurement range / Measurement precision	-10 °C to 50 °C / ±0.5 °C
Settling time	45 min.
RTC	CPU
Precision (25 °C)	±20 ppm
RAM + RTC back-up	Battery Panasonic VL1220
Battery lifetime	1000 charge cycles 100 % -> 90 % -> 100 % 40 charge cycles 100 % -> 0 % -> 100 %
Control	4 × button
Communication	RS485
Galvanic separation	No
Number of devices on RS485 segment	256
RS485 line termination	External resistor ²⁾
Power supply	10 V DC to 30 V DC
Maximum power consumption	40 mA at 24 V DC
Others	
Ingress protection rate	IP20
Operating temperature range	-10 °C to 50 °C
Maximum ambient humidity	< 95 %, non-condensing
Mounting	Into junction box KU68 with frame
Frame design ³⁾	ABB Time / Time Arbo / Element
Weight	47 g
Dimensions (w × h × d)	(71 × 71 × 28) mm ³⁾
Application software	Own program must be loaded
Programming	DetStudio / EsiDet

¹⁾ Luminance drop to 50 %

²⁾ Not included

³⁾ Final dimensions depends on frame type

ORDERING INFORMATION

AMR-OP60B/xx ¹⁾	On-wall controller
RR 120R	External termination resistor for RS485

¹⁾ xx stands for colour design, see table on the next page.

Label	Colour design
AMR-OP60B/01	White / ice white, Time / Element
AMR-OP60B/03	White / white, Time / Element
AMR-OP60B/07	Caramel / ice gray, Element
AMR-OP60B/08	Titanium, Time
AMR-OP60B/21	Ivory / ice white, Element
AMR-OP60B/22	Agave / ice white, Element
AMR-OP60B/24	Crimson / ice gray, Element
AMR-OP60B/25	Coffee / ice opal, Element
AMR-OP60B/32	Old silver, Time
AMR-OP60B/33	Champagne, Time
AMR-OP60B/34	Anthracite, Time
AMR-OP60B/36	Steel, Time

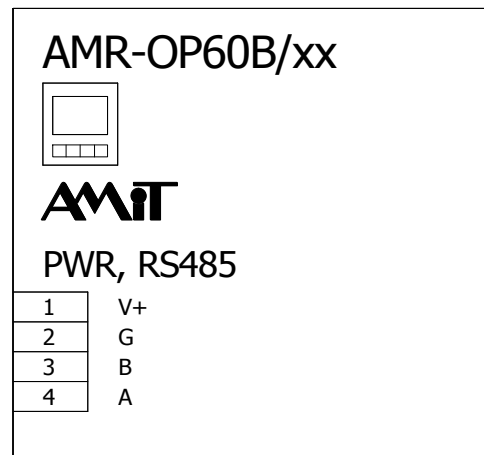
Note: ¶ Small depressions on the surface and inhomogeneity of colours are not a reason for complaint.

TERMINALS IDENTIFICATION

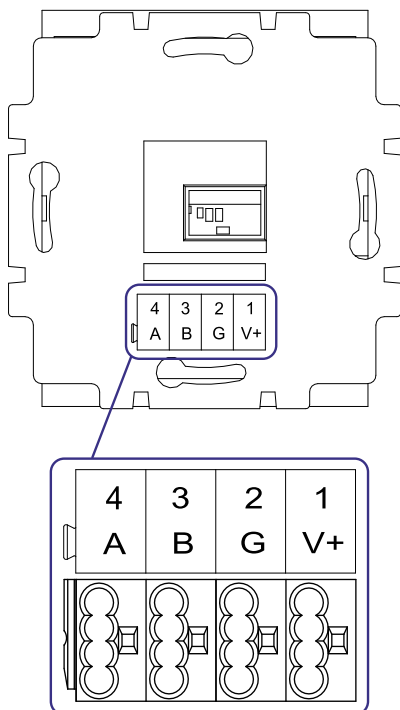
Terminal	Label	Meaning
1	V+	Power supply +24 V DC
2	G	Ground
3	B	RS485 line, signal B
4	A	RS485 line, signal A

Note: Terminating resistor **RR 120R** (not included) must be connected between terminals 3 and 4 if **AMR-OP60B/xx** unit is used as an end station on RS485 line.

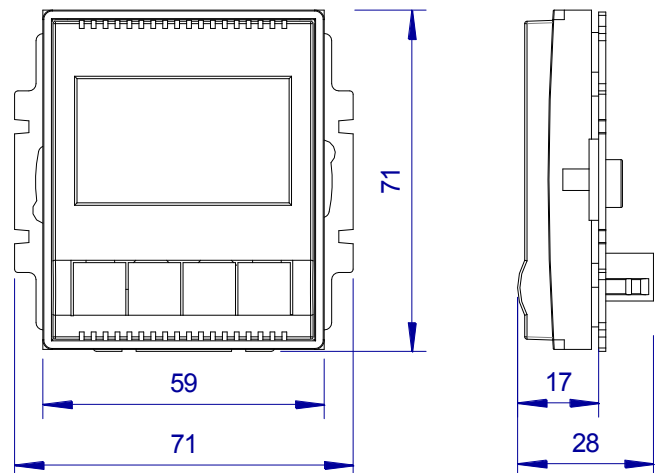
RECOMMENDED DRAWING SYMBOL



LOCATION OF TERMINALS



MECHANICAL DIMENSIONS



Data provided in this datasheet are only informative. Detailed information can be found in operational manual ([amr-op60bxx_g_en_xxx.pdf](#)). Documentation and examples can be downloaded from www.amitautomation.com web site.