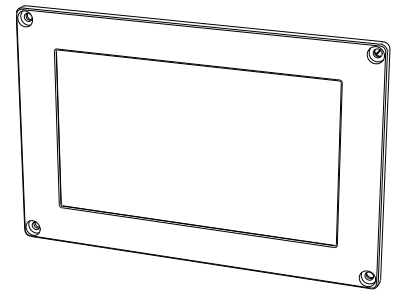


APTXA4010A(T)

10.1" panel computer

- ARM Cortex-A53 quad-core 1.6 GHz
- 2 GB RAM, 4 GB eMMC Flash
- TFT 10.1" display, (1024 × 600) pixels
- Resistive touch panel
- 1× Ethernet 10/100 Mbps, RJ45
- 2× USB 2.0 type A
- 2× EM Module slot (RS232 or RS485 with GI)
- mSATA slot



TECHNICAL DATA

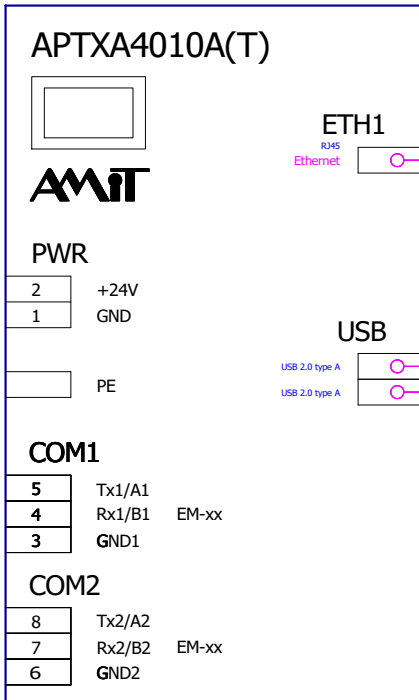
CPU	ARM Cortex-A53 quad-core 1.6 GHz, 2 GB RAM DDR3, 4 GB eMMC Flash
RTC backup	Lithium battery B-CR2032
Operating system	GNU/Linux
Display	TFT 10.1", (1024 × 600) pixels, 262k colours
Brightness, contrast	Typically 200 cd/m ² , typ. 500:1
Viewing angles	Typically 140° horizontally, 120° vertically
Backlight / lifetime	LED / 20,000 hours *)
Touch panel	Resistive
Peripheral	
USB	2× USB 2.0 type A
Ethernet	1× 10/100 Mbps / RJ45
EM Module slot	2× (RS232 / RS485 w/ GI)
mSATA slot	1×
Power supply	16.8 V DC to 33.6 V DC
Connection point	WAGO 231-302/102-000
Other	
Mounting	Into the switchboard panel
Colour	Black fine matt RAL 9005
IP rate – front panel / rear cover	IP54 / IP20
Operating temperature range	-20 °C to 50 °C
Storage temperature range	-30 °C to 70 °C
Maximum ambient humidity	< 90 % non-condensing
Weight	2.00 kg ± 5 %
Dimensions (w × h × d)	(290 × 187 × 50) mm

*) Backlight intensity drop to 50 %.

ORDERING INFORMATION

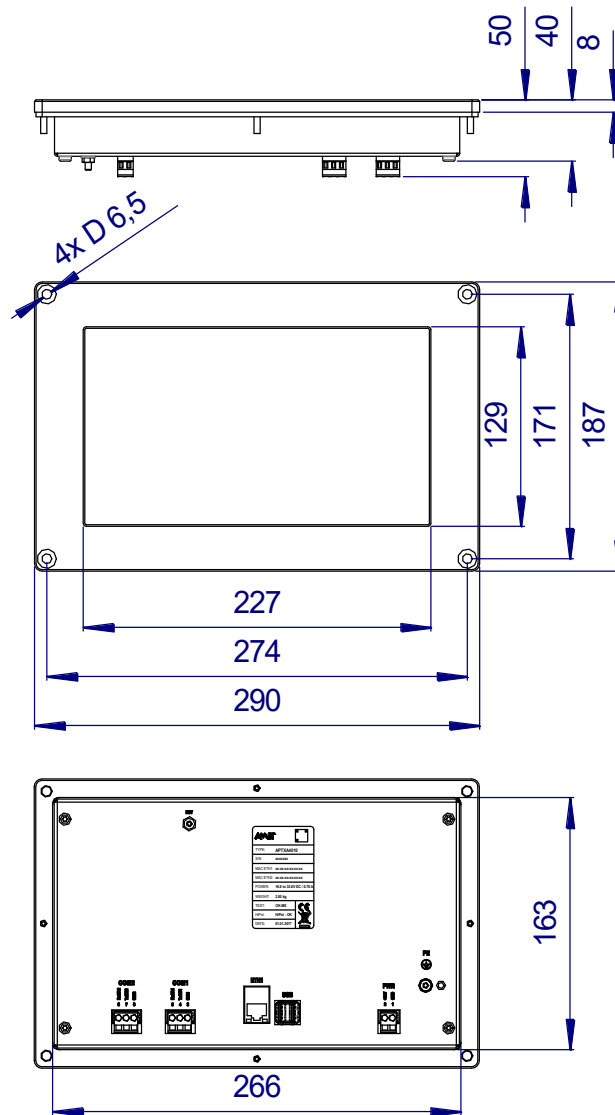
APTXA4010AT	10.1" panel PC with TouchDet environment, connector counterparts
--------------------	--

RECOMMENDED DRAWING SYMBOL



DIMENSIONS

All dimensions are in mm.



DESCRIPTION OF TERMINALS

PWR (Power supply)

Terminal	Signal	Significance
1	GND	Power supply, ground
2	+24 V	Power supply, +24 V DC

COM1 (EM Module 1)

Terminal	Signal	Significance
3	GND1	RS232, ground / RS485 with GI, ground
4	Rx1/B1	RS232, Rx / RS485 with GI, B
5	Tx1/A1	RS232, Tx / RS485 with GI, A

COM2 (EM Module 2)

Terminal	Signal	Significance
6	GND2	RS232, ground / RS485 with GI, ground
7	Rx2/B2	RS232, Rx / RS485 with GI, B
8	Tx2/A2	RS232, Tx / RS485 with GI, A

Data in this datasheet is tentative. Binding detailed information can be found in the operation manual (aptxa4010a_g_en_xxx.pdf). Documentation can be downloaded at amitautomation.com.