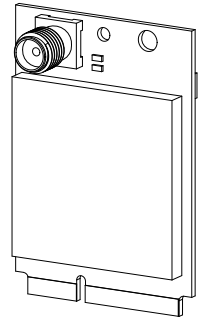


EMW-GSM

Wireless communication module

- **Wireless communication module GSM**
- **GSM bands 900 MHz and 1,800 MHz**
- **SMA connector for external antenna**
- **Modem power and status indication by LED**
- **LVTTL control**
- **Power supply +3.3 V**



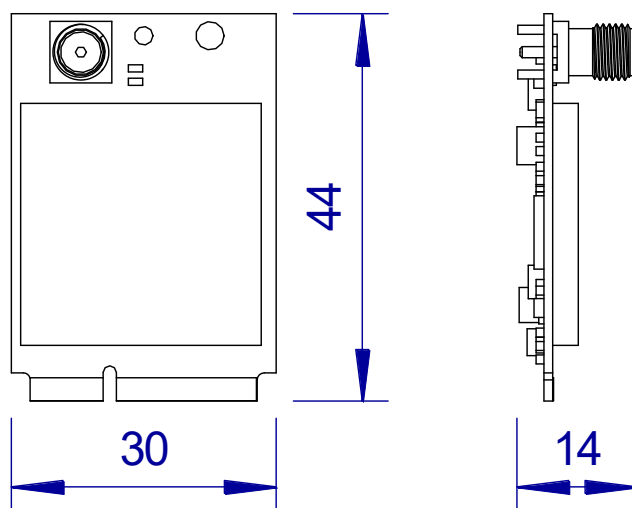
TECHNICAL DATA

Communication	GSM
GSM bands	900 MHz, 1,800 MHz
Modem type	TELIT GL865-DUAL V3
Antenna connection point	SMA
Power supply	3.3 V DC $\pm 5\%$
Maximum consumption	250 mA
Other	
Control signals	LVTTL
Connection points	miniPCle
Ingress protection rate	IP00
Operating temperature range	-20 °C to 70 °C
Maximum ambient humidity	< 95 % non-condensing
Weight	10 g
Module dimensions (w × h × d)	(30 × 44 × 14) mm

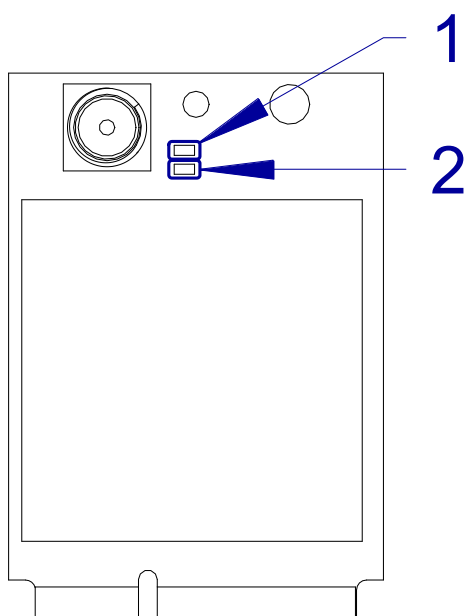
ORDERING INFORMATION

EMW-GSM	GSM communication module, standoff spacer
----------------	---

MECHANICAL DIMENSIONS



INDICATION



Indication of the module power supply and its status is provided by LEDs located next to the antenna.

Number	LED colour	Significance
1	Green	LED state
2	White	LED power supply

Their meaning is as follows:

LED	Light	Significance
Power supply	LED off	The module is not powered
	LED on	The module is powered
Status	Blinking in intervals of 1 s	The module is not registered in the GSM network
	Blinking in intervals of 3 s	The module is registered in the GSM network

The **EMW-GSM** communication module is to be connected exclusively to compatible products manufactured by the AMiT company. Connecting it to a different device utilising the miniPCIe slot may result in damage both to the device and to the connected **EMW-GSM** module. The manufacturer does not bear any responsibility for damage caused this way. Failure to observe this also voids the warranty. The installation procedure of the **EMW-GSM** communication module is always specified in the instructions of the respective device that supports it.